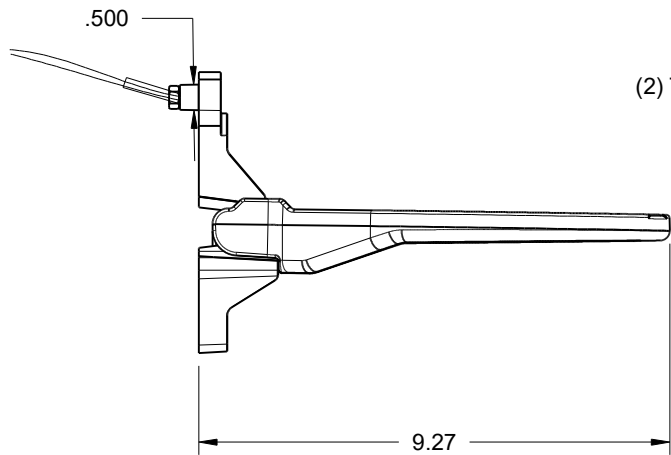
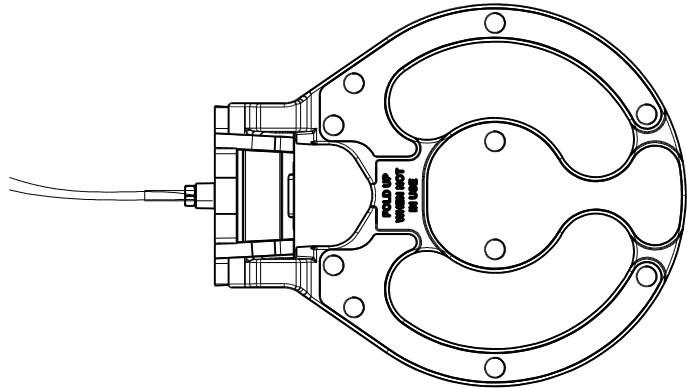
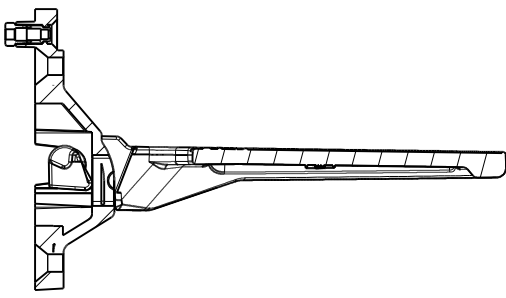
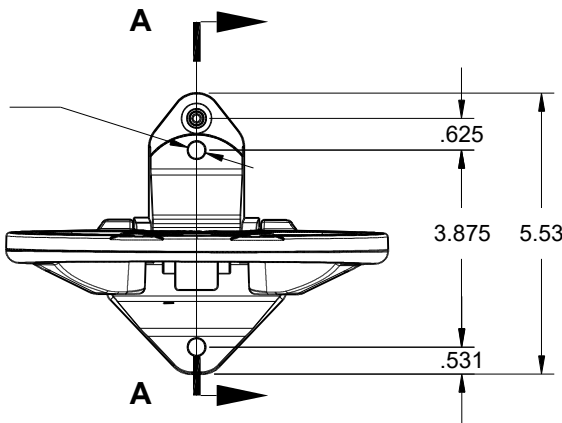


REVISIONS				
ZONE	REV	DESCRIPTION	DATE	APPROVED



(2) THRU HOLES ϕ .344



Section A-A

REMOVE ALL SHARP EDGES ALL DIMENSIONS ARE INCHES STANDARD TOLERANCES: .XX +/- .015 .XXX +/- .005 ANGLES +/- .5°	DRAWN MS	DATE 10/11/2005	TRIDENT EMERGENCY PRODUCTS, LLC <i>"Tomorrow's Ideas Delivered Today"</i>			
	CHECKED					
COPYRIGHT © DRAWING NOT TO BE REPRODUCED OR USED TO MAKE OTHER DRAWINGS OR MACHINERY	QA		FOLDING STEP ASSEMBLY WITH LED AND BLACK TREAD, BLK POWDER COAT			
	MFG					
	APPROVED		SIZE B	FSCM NO. 	DWG NO. 24.005.15	REV
			SCALE 1: 4		SHEET	