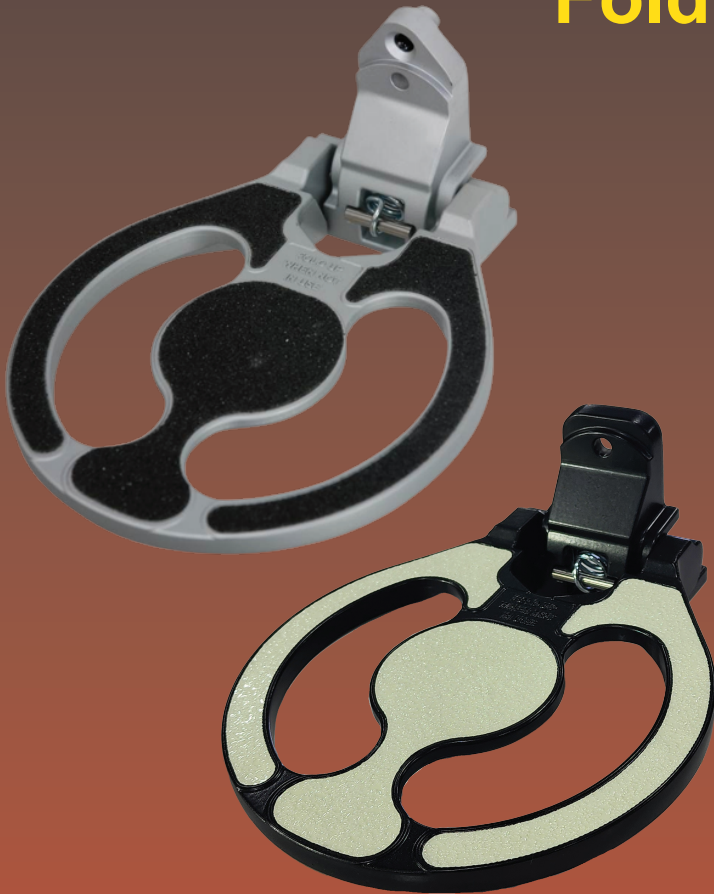


# TRIDENT

EMERGENCY PRODUCTS, LLC

## Folding Steps



### Product Features

- Made out of a zinc/aluminum alloy (ZA-27)
- Available in matte grey or matte black colors
- Available with black or luminescent slip resistance tread
- Available with integrated LED light
- NFPA 1900 compliant for
  - Surface lighting (When equipped with LED light)
  - Load requirements
  - Size requirements
  - Slip resistance
- Step mounts with (2) two, 5/16" bolts

24.005.1	Folding Step, Grey, Luminescent Tread, No LED
24.005.3	Folding Step, Grey, Black Tread, With LED
24.005.5	Folding Step, Grey, Black Tread, No LED
24.005.12	Folding Step, Grey, Luminescent Tread, With LED
24.005.15	Folding Step, Black, Black Tread, With LED
24.005.19	Folding Step, Black, Luminescent Tread, With LED
24.005.20	Folding Step, Black, Luminescent Tread, No LED
24.005.21	Folding Step, Black, Black Tread, No LED

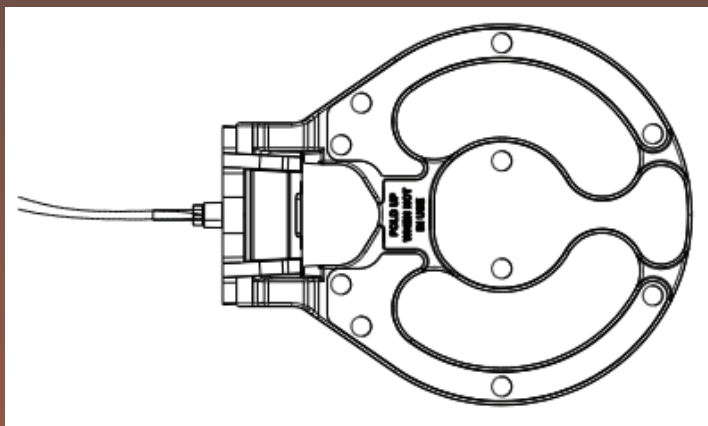
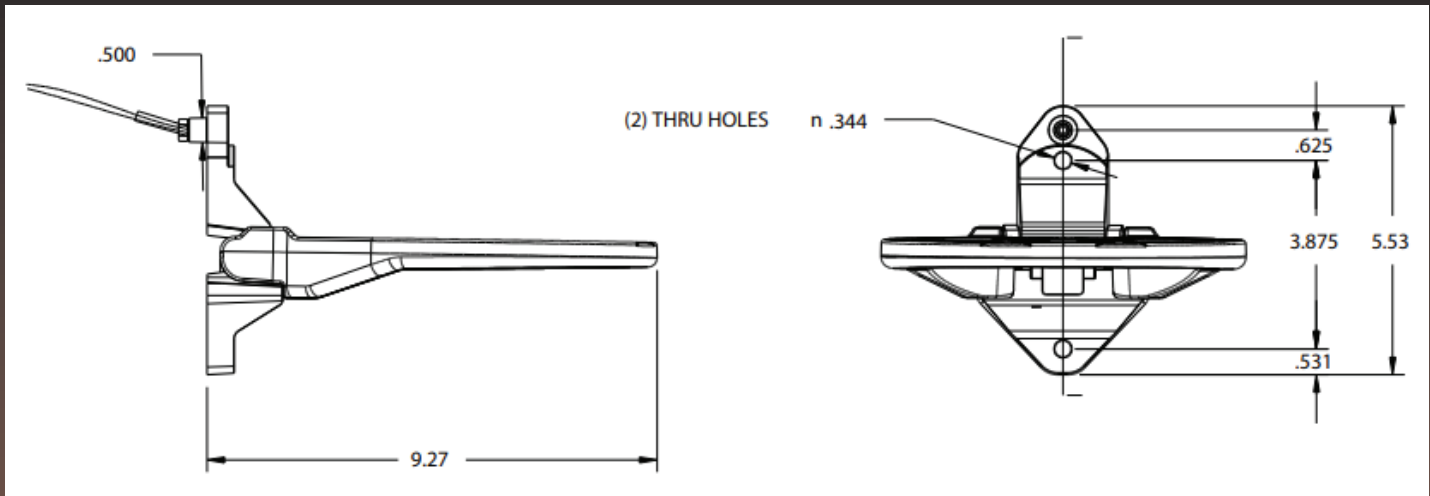


Fig. 2

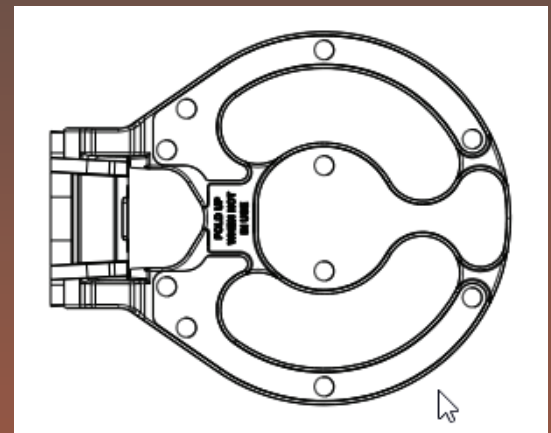
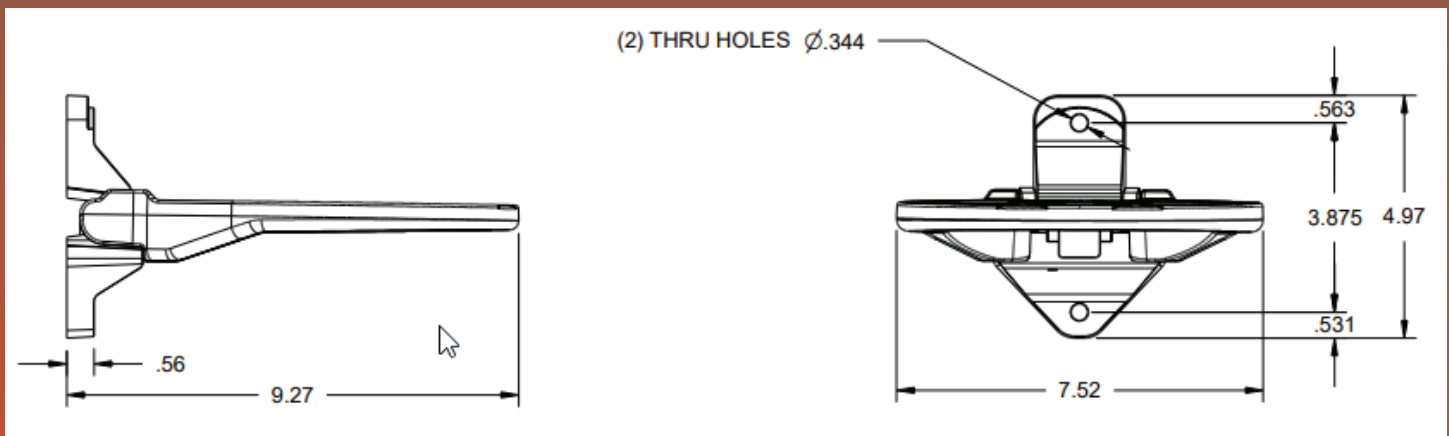


Fig. 3



Figures 1 and 2 refer to all versions of the Folding Step with the LED light  
 Figures 3 and 4 refer to all versions of the Folding Step without the LED light

## Trident Emergency Products, LLC

2950 Turnpike Drive, Suite #21 | Hatboro, PA 19040

Phone 215-293-0700

Fax 215-293-0701

Email [sales@tridentdirect.com](mailto:sales@tridentdirect.com)

[www.tridentdirect.com](http://www.tridentdirect.com)



World Class  
 Fire Industry  
 Products