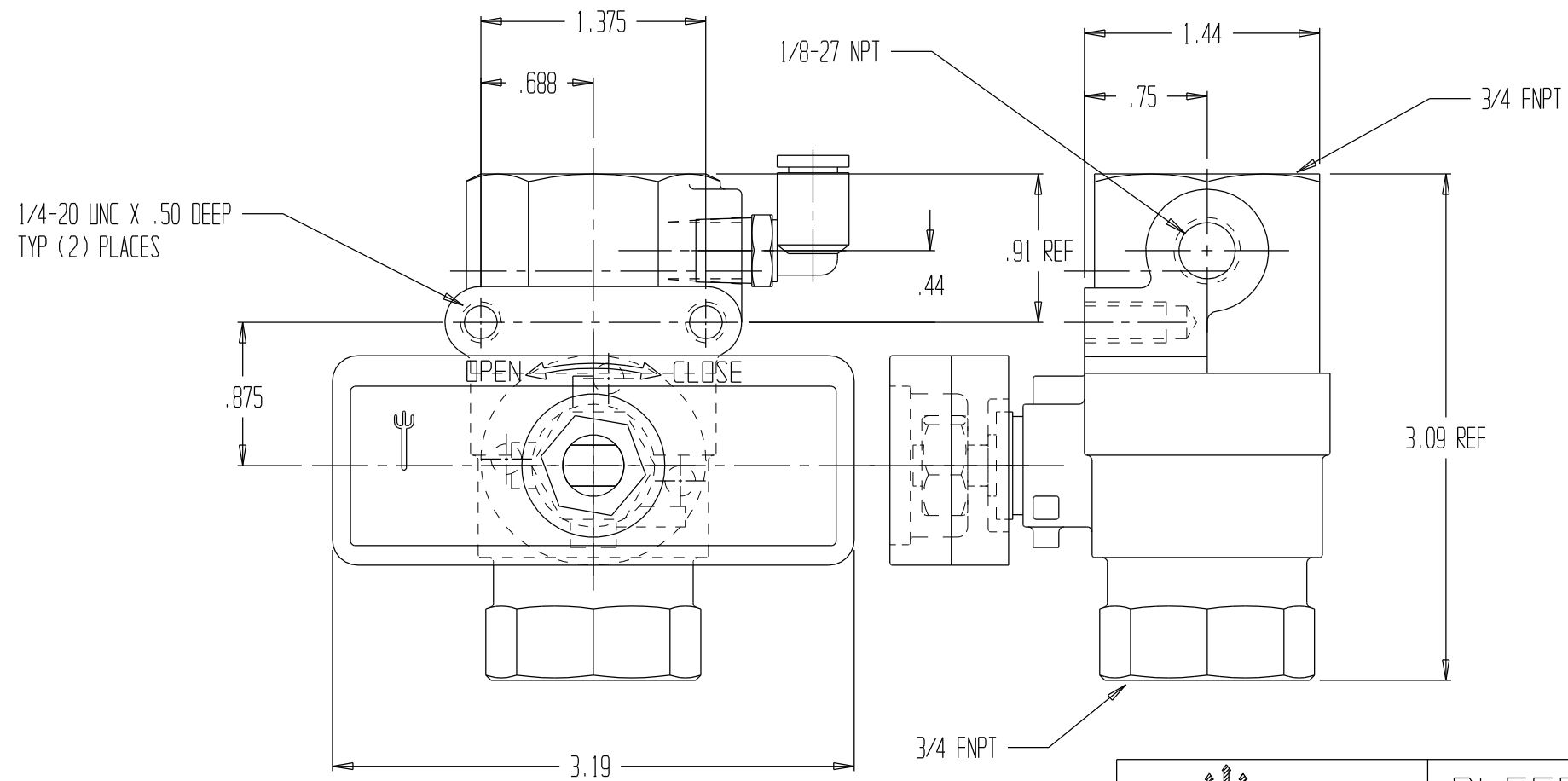
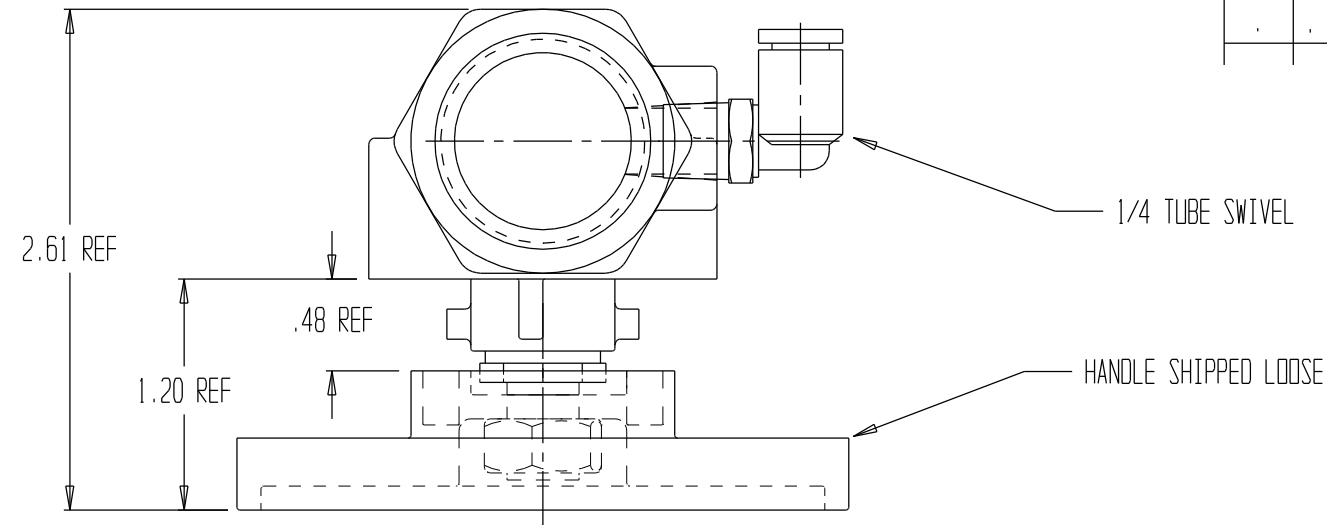


REVISIONS				
REV	DESCRIPTION	DATE	DRAWN BY	APPROVED



## BLEEDER VALVE, 3/4 STR

REPORT ERRORS & CHANGES  
REMOVE ALL SHARP EDGES  
UNLESS OTHERWISE SPECIFIED  
ALL DIMENSIONS ARE IN INCHES

STANDARD TOLERANCES:

DECIMALS	ANGLES
.XX ± .030	± 1/2°
.XXX ± .015	

COPYRIGHT ©  
DRAWING NOT TO BE REPRODUCED OR USED TO  
MAKE OTHER DRAWINGS OR MACHINERY

DRAWN BY MS  
CHECKED BY MS

DATE 12/03/2001

SIZE B

DWG NO. 30.006.1

REV

SCALE 1:1

SHEET 1 OF 1