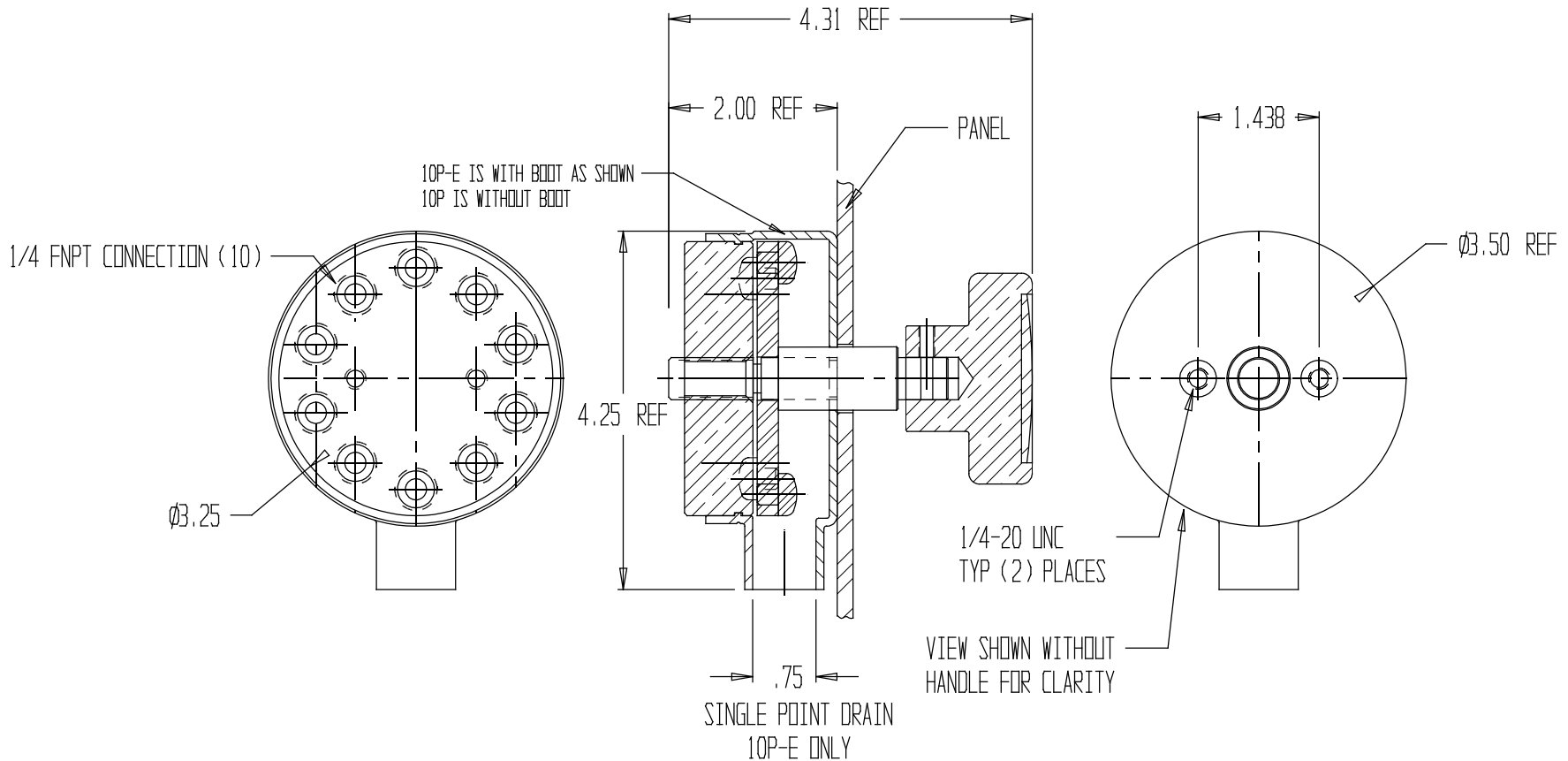


SEAL KIT: 27.001.0



10P AND 10P-E MASTER DRAIN VALVE

30.009.0 - 10P
30.009.2 - 10P-E

DRAWN BY MS		DATE 05/28/2002	SIZE A	DWG NO. 30.009.0	REV .
CHECKED BY MS			SCALE 1:2	SHEET 1 OF 1	
COPYRIGHT © DRAWING NOT TO BE REPRODUCED OR USED TO MAKE OTHER DRAWINGS OR MACHINERY					