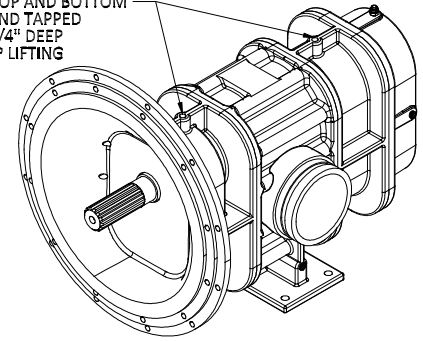


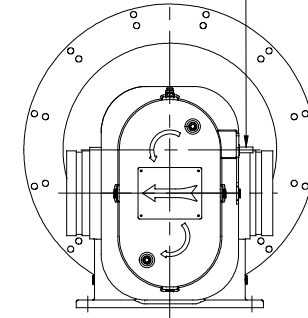
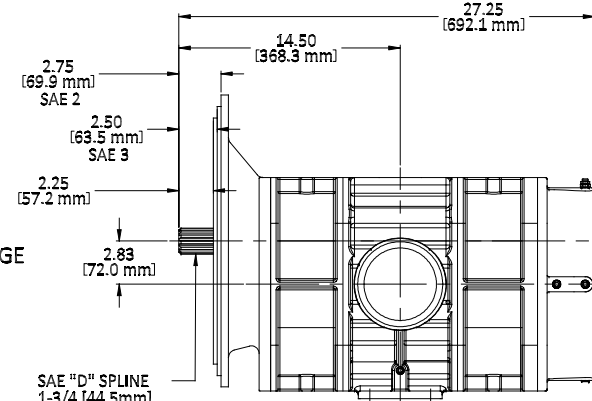
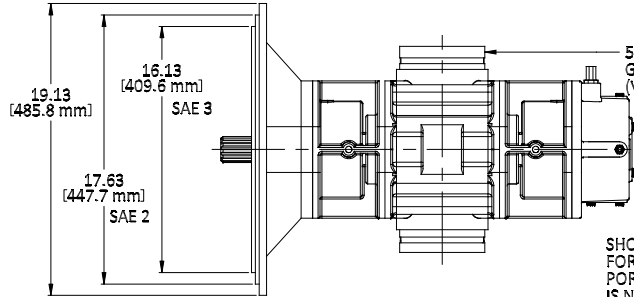
REVISIONS

REV.	DESCRIPTION	DATE	DWN. BY	APPRV'D.
A	REVISED TO UPDATE TIMING GEAR COVER	10-17-2018	SMT	MS

2-HOLES TOP AND BOTTOM DRILLED AND TAPPED 1/2-13 X 3/4" DEEP FOR PUMP LIFTING



5" [127mm] PIPE GROOVE CONNECTIONS (VICTAULIC)
 SHOWN WITH OPTIONAL SPEED SENSOR FOR MEASURING PUMP SPEED. PORT IS PLUGGED IF SPEED SENSOR IS NOT SPECIFIED.



ASSEMBLED PUMP WEIGHT: 495 LBS [225 KG]

GP500 FOAM PUMP with SAE BELL HOUSING BRACKET			
MODEL NUMBER	PART NUMBER	SHAFT ROTATION	SHAFT POSITION
GP500M-T	31.022.3	STANDARD (RH - CW)	TOP (UPPER)
GP500M-RT	31.022.13	REVERSE (LH - CCW)	TOP (UPPER)

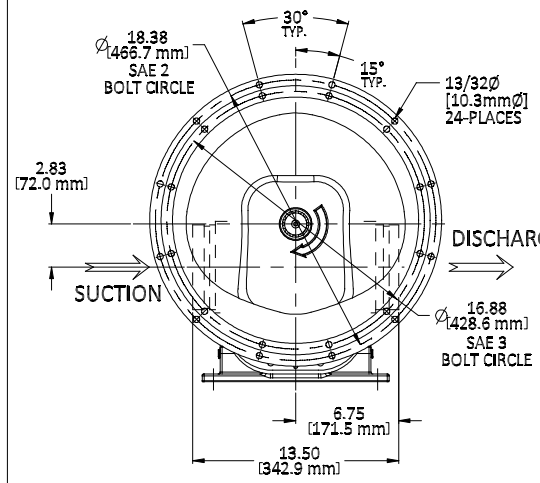
OUTLINE ASSEMBLY

UNLESS OTHERWISE SPECIFIED ALL DIMENSIONS ARE IN INCHES [mm]
 STANDARD TOLERANCES: DECIMALS .XX ±.080 ANGLES ±1/2°
 .XXX ±.015

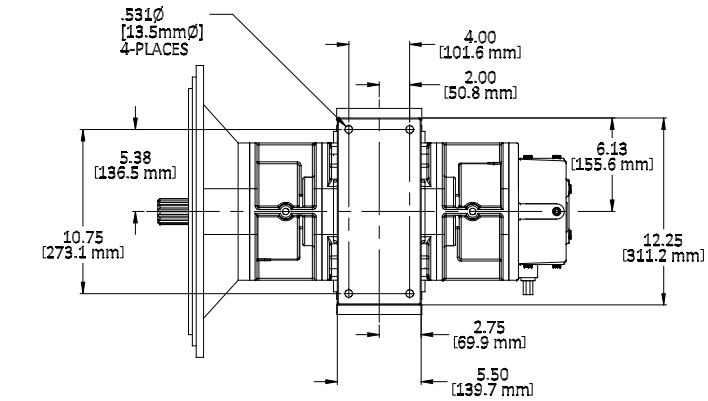
TRIDENT
 EMERGENCY PRODUCTS, LLC
 COPYRIGHT ©
 DRAWING NOT TO BE REPRODUCED OR USED TO MAKE OTHER DRAWINGS OR MACHINERY
 DRAWN BY: SMT
 CHECKED BY: MS DATE: 11-29-2016

SIZE B	DWG. NO. 31.022.xx	REV. A
SCALE: NONE	SHEET 1 OF 1	

SAE BELL HOUSING MOTOR MOUNT SAE #2 AND SAE #3 BOLT HOLE PATTERNS



SHOWN AS STANDARD RIGHT-HAND (CW) SHAFT ROTATION



DISCHARGE

SUCTION