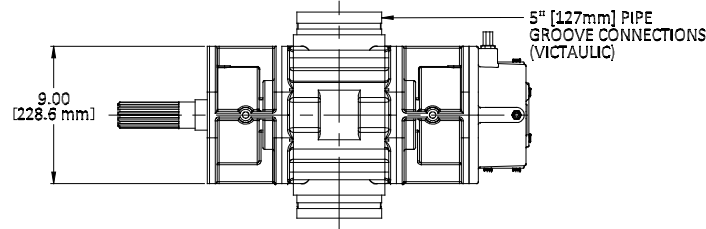
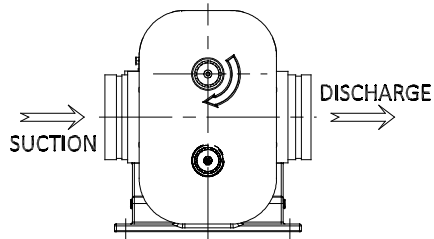
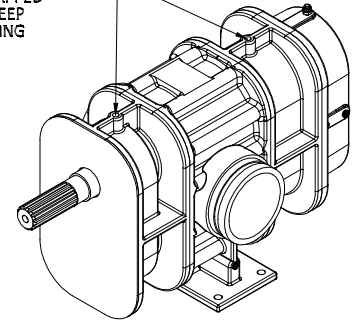


REVISIONS

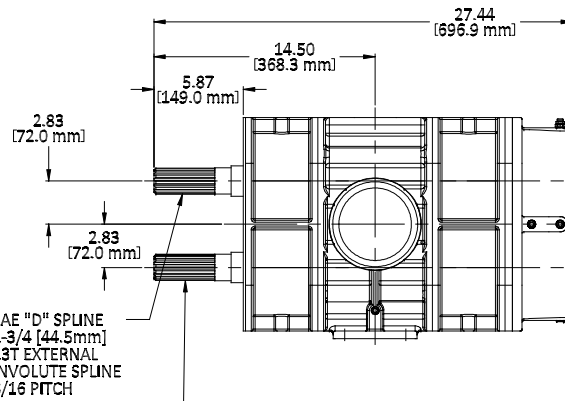
REV.	DESCRIPTION	DATE	DWN. BY	APPR'D.
A	REVISED TO UPDATE TIMING GEAR COVER	10-17-2018	SMT	MS



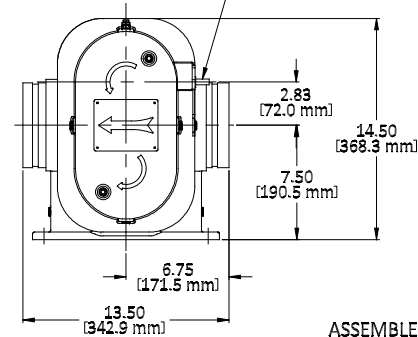
2-HOLES TOP AND BOTTOM DRILLED AND TAPPED 1/2-13 X 3/4" DEEP FOR PUMP LIFTING



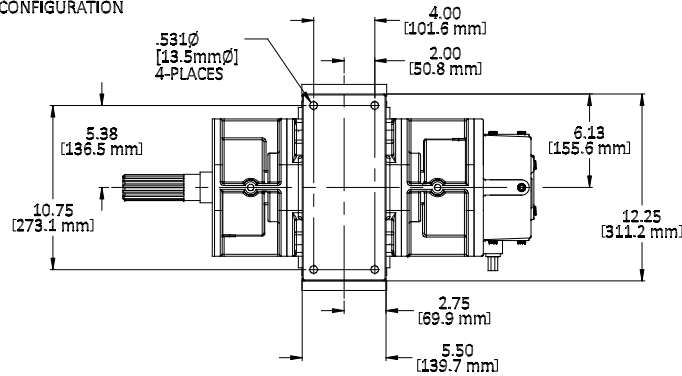
SHOWN AS STANDARD RIGHT-HAND (CW) SHAFT ROTATION



SHOWN WITH OPTIONAL SPEED SENSOR FOR MEASURING PUMP SPEED. PORT IS PLUGGED IF SPEED SENSOR IS NOT SPECIFIED.



OPTIONAL BOTTOM SHAFT CONFIGURATION



ASSEMBLED PUMP WEIGHT: 430 LBS [195 KG]

GP500 FOAM PUMP with UNIVERSAL DRIVE CONFIGURATION			
MODEL NUMBER	PART NUMBER	SHAFT ROTATION	SHAFT POSITION
GP500U-T	31.022.2	STANDARD (RH - CW)	TOP (UPPER)
GP500U-RT	31.022.12	REVERSE (LH - CCW)	TOP (UPPER)
GP500U-B	31.022.4	STANDARD (LH - CCW)	BOTTOM (LOWER)
GP500U-RB	31.022.14	REVERSE (RH - CW)	BOTTOM (LOWER)



OUTLINE ASSEMBLY

UNLESS OTHERWISE SPECIFIED ALL DIMENSIONS ARE IN INCHES [mm]

STANDARD TOLERANCES: DECIMALS .XX ± .030 ANGLES ± 1/2°

COPYRIGHT ©  
DRAWING NOT TO BE REPRODUCED OR USED TO MAKE OTHER DRAWINGS OR MACHINERY  
DRAWN BY SMT  
CHECKED BY MS DATE: 11-28-2016

SIZE B	DWG. NO. 31.022.xx	REV. A
SCALE: NONE	SHEET 1 OF 1	