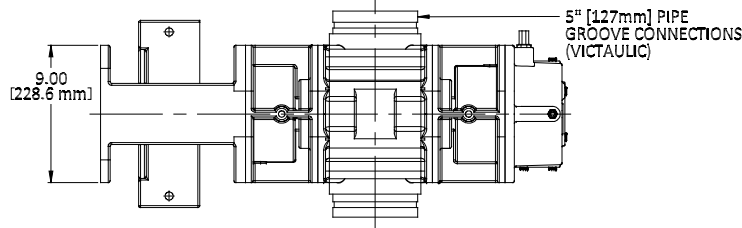
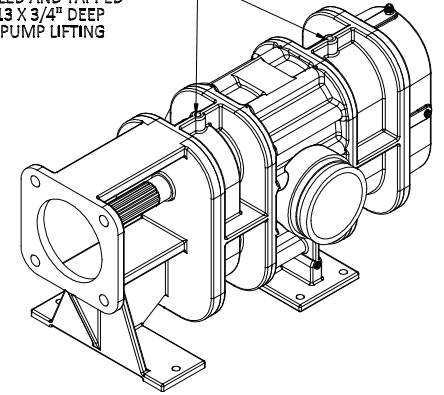


REVISIONS

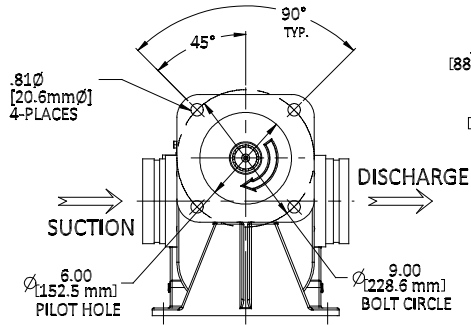
REV.	DESCRIPTION	DATE	DWN. BY	APPR'D.
A	REVISED TO UPDATE TIMING GEAR COVER	10-17-2018	SMT	MS



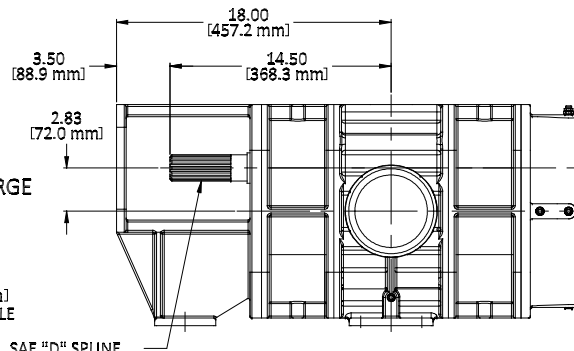
2-HOLES TOP AND BOTTOM DRILLED AND TAPPED 1/2-13 X 3/4" DEEP FOR PUMP LIFTING



HYDRAULIC MOTOR MOUNT BORED TO ACCEPT STANDARD SAE "D", 2-BOLT or 4-BOLT HYDRAULIC MOTOR

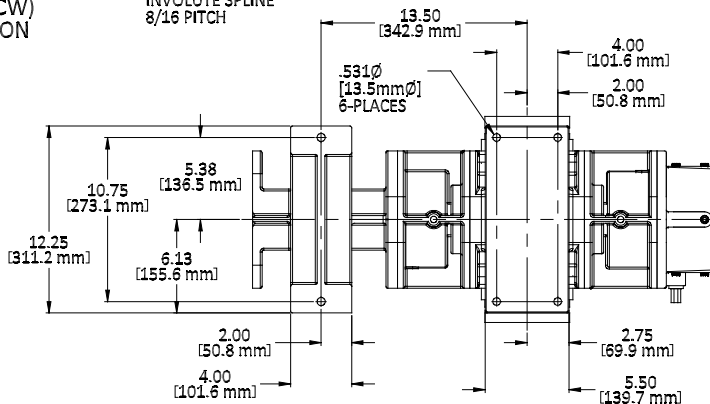
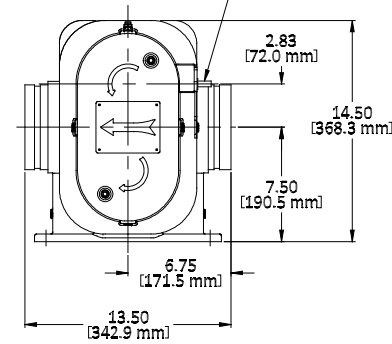


SHOWN AS STANDARD RIGHT-HAND (CW) SHAFT ROTATION



SAE "D" SPLINE 1-3/4 [44.5mm] 13T EXTERNAL INVOLUTE SPLINE 8/16 PITCH

SHOWN WITH OPTIONAL SPEED SENSOR FOR MEASURING PUMP SPEED. PORT IS PLUGGED IF SPEED SENSOR IS NOT SPECIFIED.



ASSEMBLED PUMP WEIGHT: 480 LBS [218 KB]

GP500 FOAM PUMP with HYDRAULIC MOTOR BRACKET

MODEL NUMBER	PART NUMBER	SHAFT ROTATION	SHAFT POSITION
GP500H-T	31.022.0	STANDARD (RH - CW)	TOP (UPPER)
GP500H-RT	31.022.10	REVERSE (LH - CCW)	TOP (UPPER)



OUTLINE ASSEMBLY

UNLESS OTHERWISE SPECIFIED ALL DIMENSIONS ARE IN INCHES [mm]

STANDARD TOLERANCES: DECIMALS .XX ±.080 .XXX ±.015 ANGLES ±1/2°

COPYRIGHT © EMERGENCY PRODUCTS, LLC		SIZE B	DWG. NO. 31.022.xx	REV. A
DRAWING NOT TO BE REPRODUCED OR USED TO MAKE OTHER DRAWINGS OR MACHINERY		SCALE: NONE	SHEET 1 OF 1	
DRAWN BY SMT	DATE: 11-28-2016			
CHECKED BY MS				