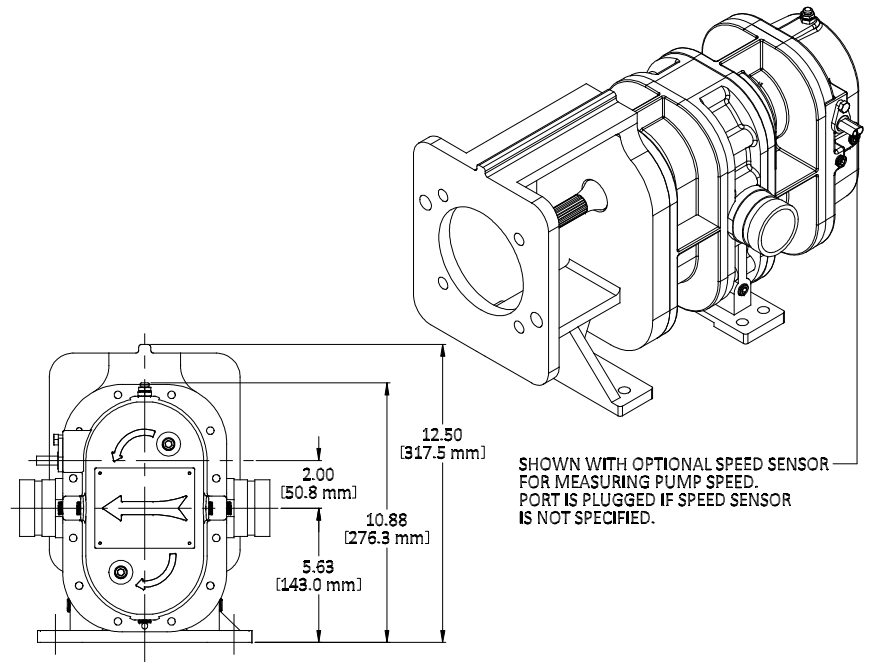
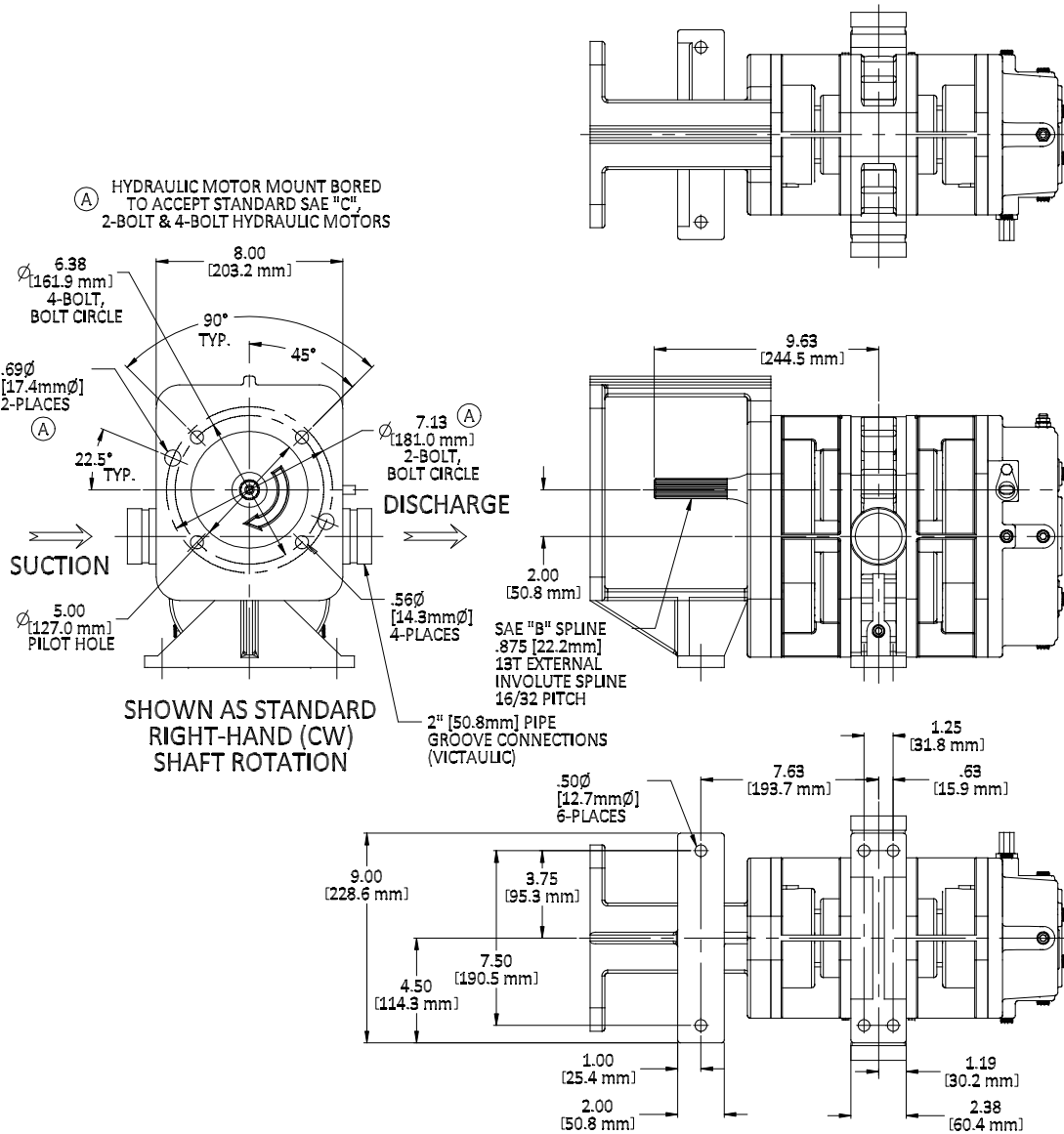


REVISIONS				
REV.	DESCRIPTION	DATE	DWN. BY	APPRV'D.
A	REVISED PER HYD. BRACKET	06-14-2017	SMT	MS



ASSEMBLED PUMP WEIGHT: 175 LBS [80 KG]

GP120 FOAM PUMP with HYDRAULIC MOTOR BRACKET - SAE "C"			
MODEL NUMBER	PART NUMBER	SHAFT ROTATION	SHAFT POSITION
GP120H4-T	31.017.15	STANDARD (RH - CW)	TOP (UPPER)
GP120H4-RT	31.017.16	REVERSE (LH - CCW)	TOP (UPPER)

<p>EMERGENCY PRODUCTS, LLC</p>	OUTLINE ASSEMBLY		
	<small>UNLESS OTHERWISE SPECIFIED ALL DIMENSIONS ARE IN INCHES (mm)</small>		<small>STANDARD TOLERANCES:</small> <small>DECIMALS .XX ± .030 .XXX ± .015</small> <small>ANGLES ± 1/2°</small>
<small>COPYRIGHT ©</small> <small>DRAWING NOT TO BE REPRODUCED OR USED TO MAKE OTHER DRAWINGS OR MACHINERY</small> <small>DRAWN BY: SMT</small> <small>CHECKED BY: MS</small>	<small>SIZE B</small>	<small>DWG. NO.</small> 31.017.xx	<small>REV.</small> A
<small>DATE: 05-08-2017</small>	<small>SCALE: NONE</small>	<small>SHEET 1 OF 1</small>	