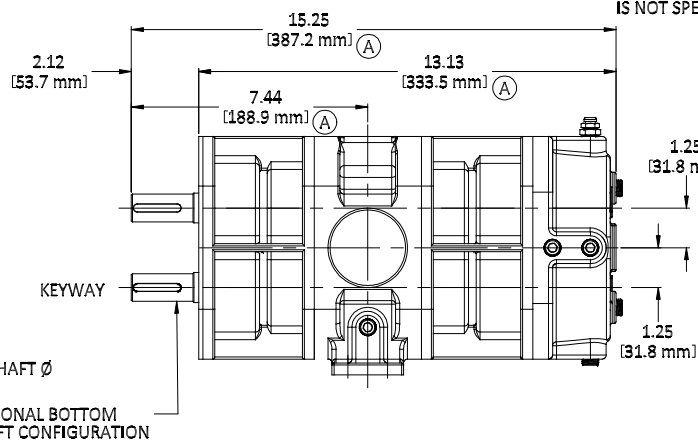
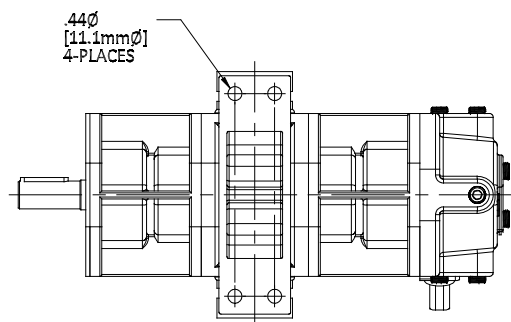
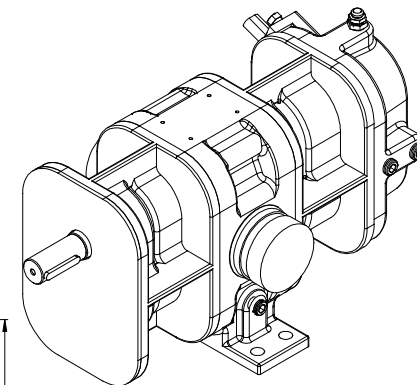
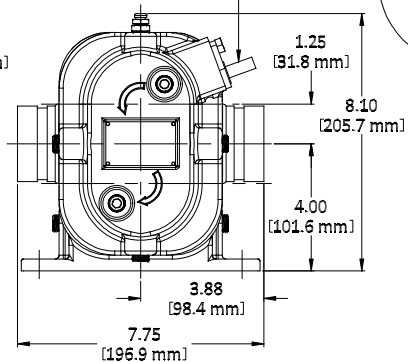


2" [50.8mm] PIPE GROOVE CONNECTIONS (VICTAULIC)

SHOWN AS STANDARD RIGHT-HAND (CW) SHAFT ROTATION (UPPER SHAFT)



SHOWN WITH OPTIONAL SPEED SENSOR FOR MEASURING PUMP SPEED. PORT IS PLUGGED IF SPEED SENSOR IS NOT SPECIFIED.



REVISIONS

REV.	DESCRIPTION	DATE	DWN. BY	APPR'VD.
A	BODY LENGTH INCREASED	06-12-2017	SMT	MS

ASSEMBLED PUMP WEIGHT: 65 LBS [30 KG]

GP60 FOAM PUMP with UNIVERSAL DRIVE CONFIGURATION

MODEL NUMBER	PART NUMBER	SHAFT ROTATION	SHAFT POSITION
GP60U-T	31.021.2	STANDARD (RH - CW)	TOP (UPPER)
GP60U-RT	31.021.12	REVERSE (LH - CCW)	TOP (UPPER)
GP60U-B	31.021.4	STANDARD (LH - CCW)	BOTTOM (LOWER)
GP60U-RB	31.021.14	REVERSE (RH - CW)	BOTTOM (LOWER)



OUTLINE ASSEMBLY

REPORT ERRORS & CHANGES REMOVE ALL SHARP EDGES UNLESS OTHERWISE SPECIFIED ALL DIMENSIONS ARE IN INCHES

STANDARD TOLERANCES: .XX ± .030 .XXX ± .015

DECIMALS .XX ± .030 .XXX ± .015

ANGLES ± 1/2°

COPYRIGHT © DRAWING NOT TO BE REPRODUCED OR USED TO MAKE OTHER DRAWINGS OR MACHINERY		SIZE B	DWG. NO. 31.021.xx	REV. A
DRAWN BY SMT	CHECKED BY MS	DATE: 09-29-2016	SCALE: NONE	SHEET 1 OF 1