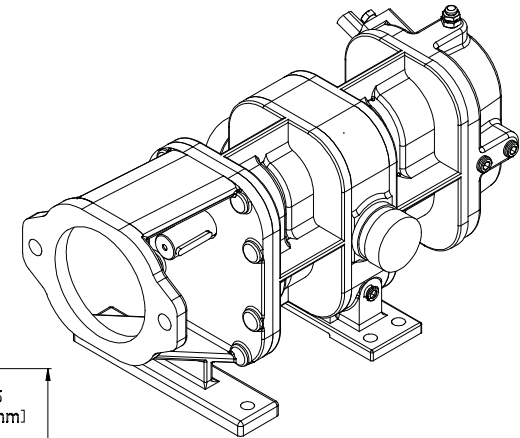


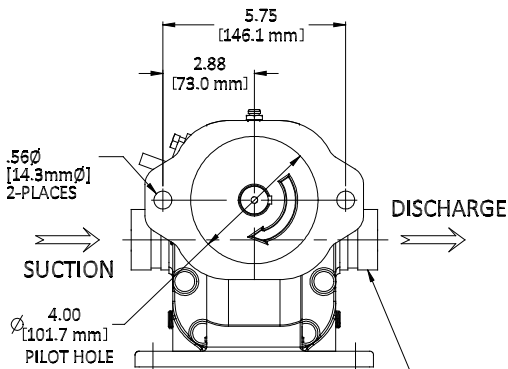
REVISIONS

REV.	DESCRIPTION	DATE	DWN. BY	APPRV'D.
A	BODY LENGTH INCREASED	06-09-2017	SMT	MS



SHOWN WITH OPTIONAL SPEED SENSOR FOR MEASURING PUMP SPEED. PORT IS PLUGGED IF SPEED SENSOR IS NOT SPECIFIED.

HYDRAULIC MOTOR MOUNT BORED TO ACCEPT STANDARD SAE "B", 2-BOLT HYDRAULIC MOTOR

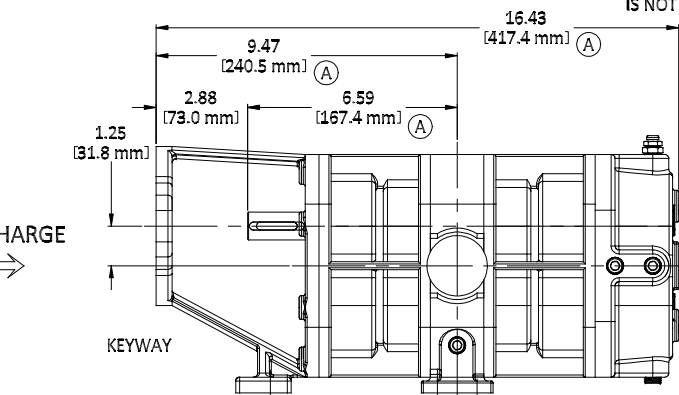


DISCHARGE

SUCTION

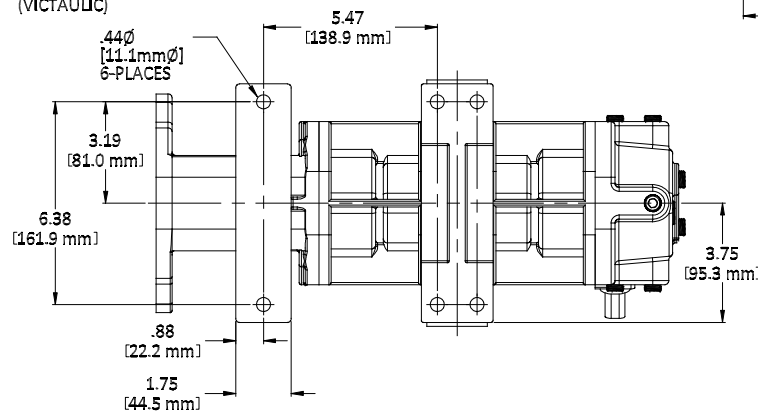
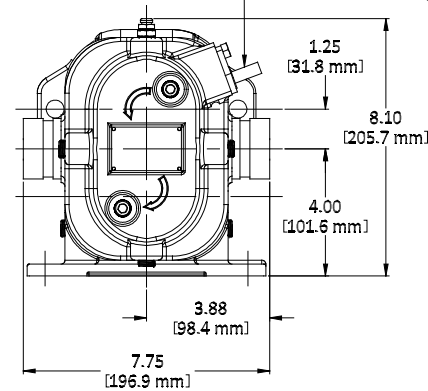
$\phi$  4.00 [101.7 mm] PILOT HOLE

SHOWN AS STANDARD RIGHT-HAND (CW) SHAFT ROTATION



KEYWAY

SHAFT  $\phi$  1-1/2" [38.1 mm] PIPE GROOVE CONNECTIONS (VICTAULIC)



ASSEMBLED PUMP WEIGHT: 80 LBS [36 KG]

GP30 FOAM PUMP with HYDRAULIC MOTOR BRACKET			
MODEL NUMBER	PART NUMBER	SHAFT ROTATION	SHAFT POSITION
GP30H-T	31.018.0	STANDARD (RH - CW)	TOP (UPPER)
GP30H-RT	31.018.10	REVERSE (LH - CCW)	TOP (UPPER)



OUTLINE ASSEMBLY

REPORT ERRORS & CHANGES REMOVE ALL SHARP EDGES UNLESS OTHERWISE SPECIFIED ALL DIMENSIONS ARE IN INCHES  
 STANDARD TOLERANCES: DECIMALS .XX  $\pm$  .030 .XXX  $\pm$  .015 ANGLES  $\pm$  1/2°

COPYRIGHT © TRIDENT EMERGENCY PRODUCTS, LLC		SIZE B	DWG. NO. 31.018.xx	REV. A
DRAWING NOT TO BE REPRODUCED OR USED TO MAKE OTHER DRAWINGS OR MACHINERY		SCALE: NONE	SHEET 1 OF 1	
DRAWN BY SMT	DATE: 09-27-2016			
CHECKED BY MS				