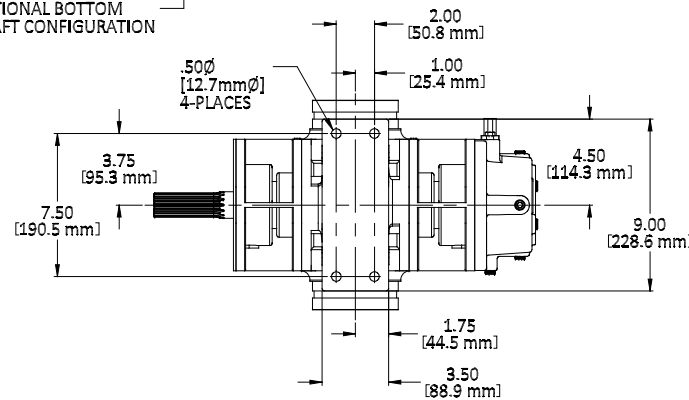
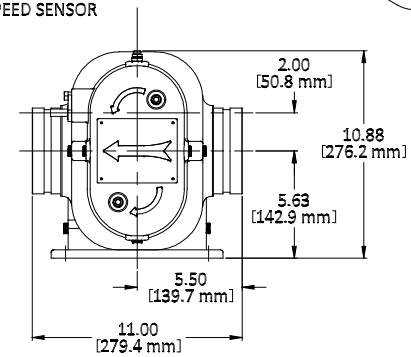
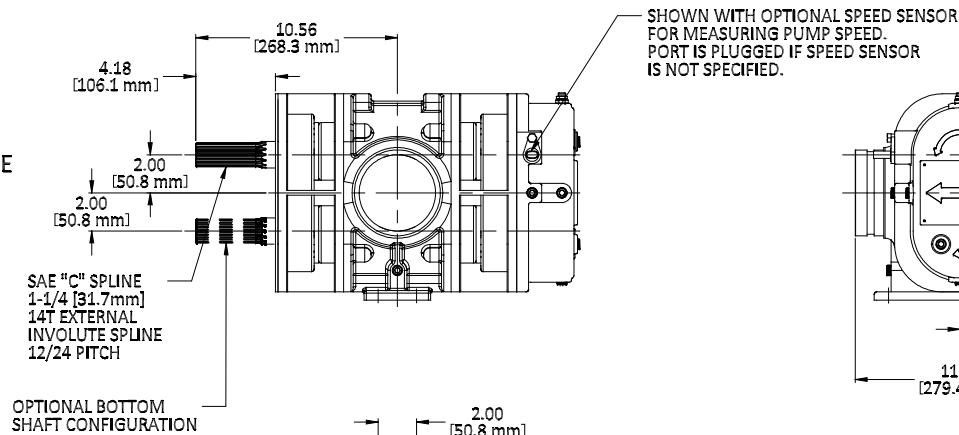
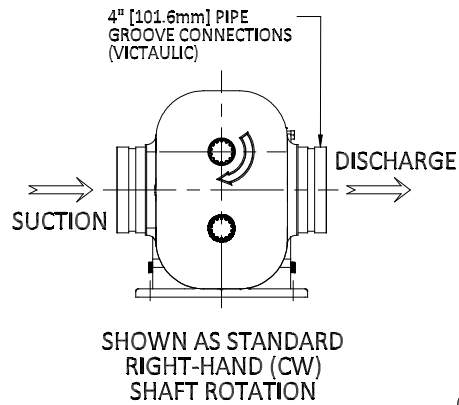
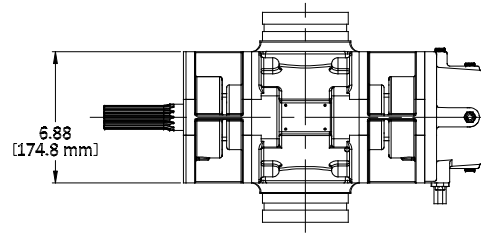
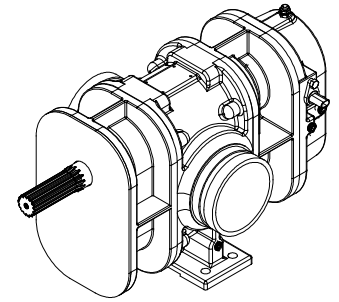


REVISIONS

REV.	DESCRIPTION	DATE	DWN. BY	APPRV'D.
A	UPDATED TIMING GEAR COVER	10-12-2018	SMT	MS



ASSEMBLED PUMP WEIGHT: 180 LBS [82 KG]

GP300 FOAM PUMP with UNIVERSAL DRIVE CONFIGURATION			
MODEL NUMBER	PART NUMBER	SHAFT ROTATION	SHAFT POSITION
GP300U-T	31.006.2	STANDARD (RH - CW)	TOP (UPPER)
GP300U-RT	31.006.12	REVERSE (LH - CCW)	TOP (UPPER)
GP300U-B	31.006.4	STANDARD (LH - CCW)	BOTTOM (LOWER)
GP300U-RB	31.006.14	REVERSE (RH - CW)	BOTTOM (LOWER)

<p>EMERGENCY PRODUCTS, LLC</p>	OUTLINE ASSEMBLY		
	UNLESS OTHERWISE SPECIFIED ALL DIMENSIONS ARE IN INCHES [mm]		STANDARD TOLERANCES: DECIMALS .XX ± .080 .XXX ± .015
COPYRIGHT © DRAWING NOT TO BE REPRODUCED OR USED TO MAKE OTHER DRAWINGS OR MACHINERY DRAWN BY: SMT CHECKED BY: MS	SIZE B	DWG. NO. 31.006.xx	REV. A
DATE: 10-11-2016	SCALE: NONE	SHEET 1 OF 1	