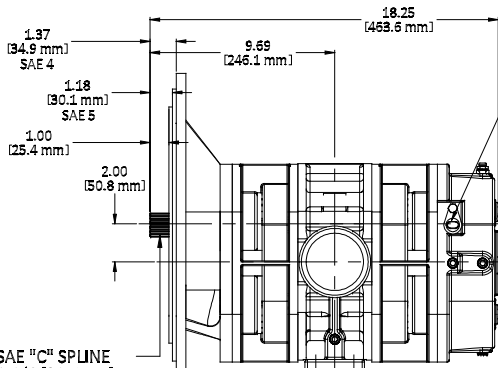
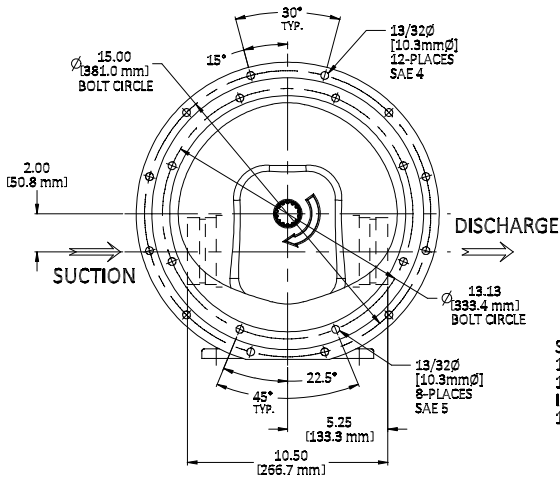
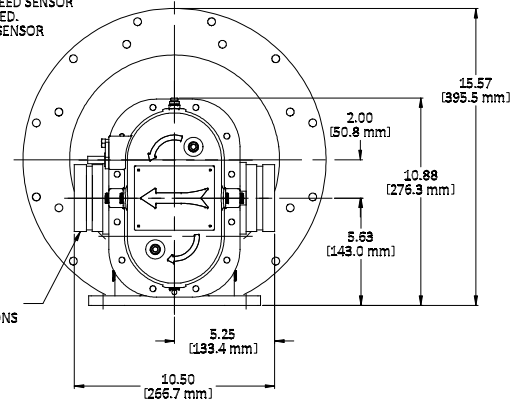


SAE BELL HOUSING MOTOR MOUNT  
SAE #4 AND SAE #5 BOLT HOLE PATTERNS



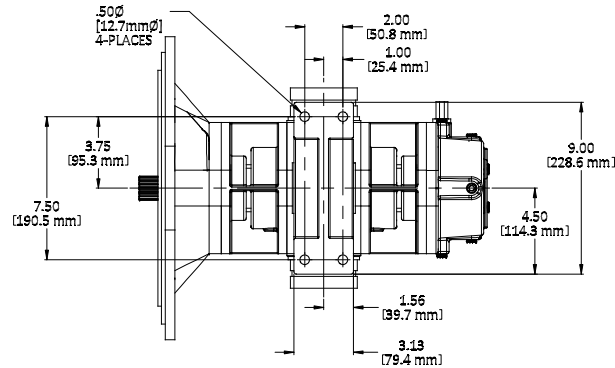
SAE "C" SPLINE  
1-1/4 [31.7mm]  
14T EXTERNAL  
INVOLUTE SPLINE  
12/24 PITCH

SHOWN WITH OPTIONAL SPEED SENSOR  
FOR MEASURING PUMP SPEED.  
PORT IS PLUGGED IF SPEED SENSOR  
IS NOT SPECIFIED.



3" [76.2mm] PIPE  
GROOVE CONNECTIONS  
(VICTAULIC)

SHOWN AS STANDARD  
RIGHT-HAND (CW)  
SHAFT ROTATION



ASSEMBLED PUMP WEIGHT: 210 LBS [95 KG]

GP200 FOAM PUMP with SAE BELL HOUSING BRACKET

MODEL NUMBER	PART NUMBER	SHAFT ROTATION	SHAFT POSITION
GP200M-T	31.016.3	STANDARD (RH - CW)	TOP (UPPER)
GP200M-RT	31.016.13	REVERSE (LH - CCW)	TOP (UPPER)



OUTLINE ASSEMBLY

UNLESS OTHERWISE SPECIFIED  
ALL DIMENSIONS ARE  
IN INCHES [mm]

STANDARD TOLERANCES:  
DECIMALS .XX ± .030  
.XXX ± .015  
ANGLES ± 1/2°

COPYRIGHT ©  
DRAWING NOT TO BE REPRODUCED OR USED  
TO MAKE OTHER DRAWINGS OR MACHINERY  
DRAWN BY SMT  
CHECKED BY MIS DATE: 10-14-2016

SIZE  
B

SCALE: NONE

DWG. NO. 31.016.xx

REV.

SHEET 1 OF 1