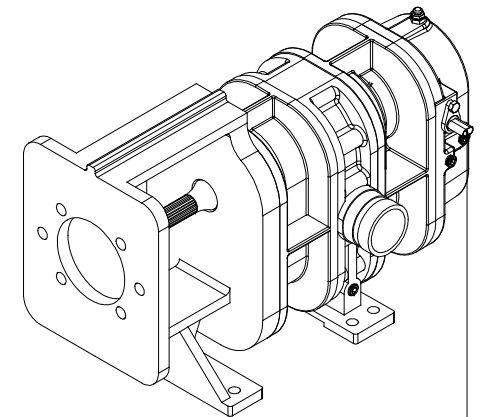
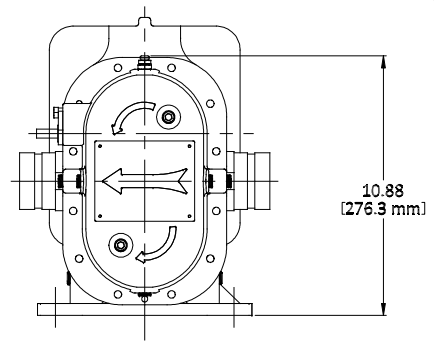
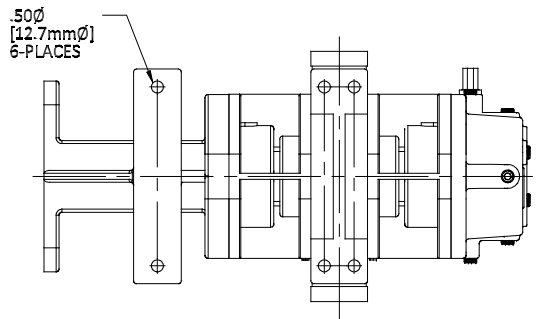
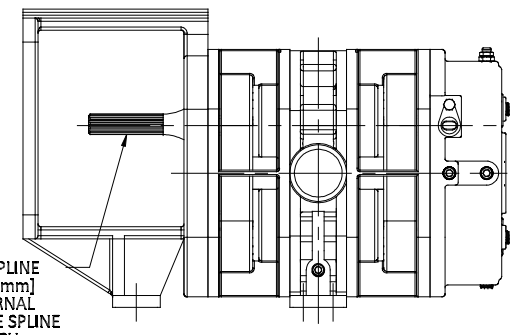
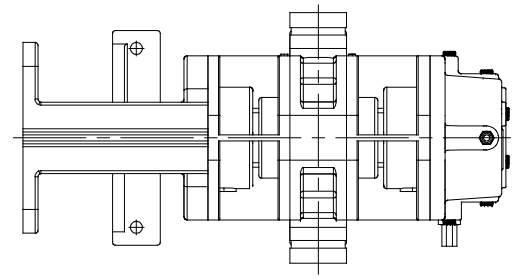
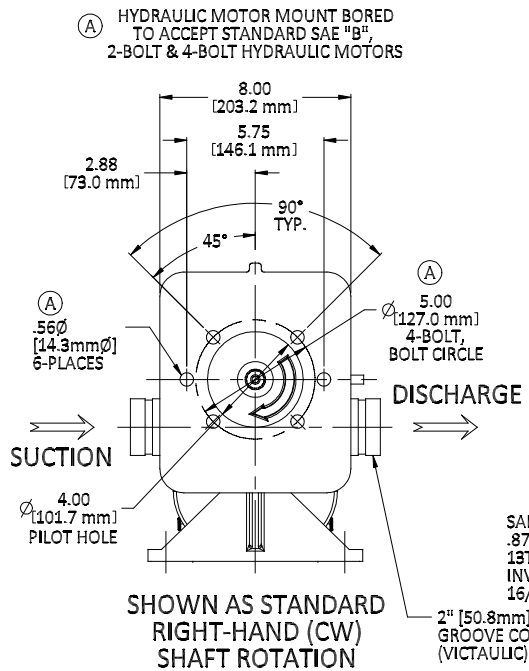


REVISIONS				
REV.	DESCRIPTION	DATE	DWN. BY	APPR'D.
A	REVISED PER HYD. BRACKET	06-14-2017	SMT	MS



SHOWN WITH OPTIONAL SPEED SENSOR FOR MEASURING PUMP SPEED. PORT IS PLUGGED IF SPEED SENSOR IS NOT SPECIFIED.

ASSEMBLED PUMP WEIGHT: 175 LBS [80 KG]

GP120 FOAM PUMP with HYDRAULIC MOTOR BRACKET - SAE "B"			
MODEL NUMBER	PART NUMBER	SHAFT ROTATION	SHAFT POSITION
GP120H-T	31.017.0	STANDARD (RH - CW)	TOP (UPPER)
GP120H-RT	31.017.10	REVERSE (LH - CCW)	TOP (UPPER)



OUTLINE ASSEMBLY

UNLESS OTHERWISE SPECIFIED ALL DIMENSIONS ARE IN INCHES (mm)
STANDARD TOLERANCES: DECIMALS .XX ± .030 .XXX ± .015 ANGLES ± 1/2°

COPYRIGHT © DRAWING NOT TO BE REPRODUCED OR USED TO MAKE OTHER DRAWINGS OR MACHINERY		SIZE B	DWG. NO. 31.017.xx	REV. A
DRAWN BY SMT	DATE: 09-30-2016	SCALE: NONE	SHEET 1 OF 1	