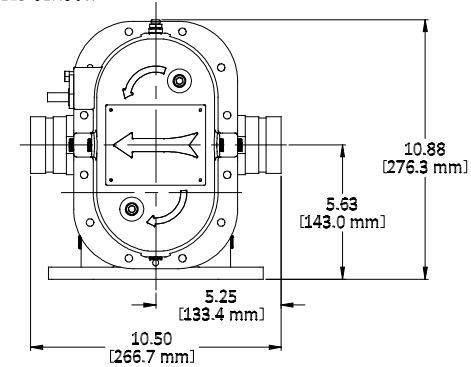
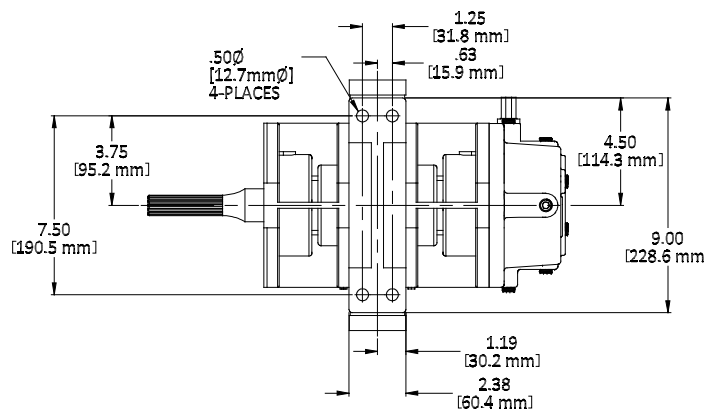


SHOWN WITH OPTIONAL SPEED SENSOR FOR MEASURING PUMP SPEED. PORT IS PLUGGED IF SPEED SENSOR IS NOT SPECIFIED.



ASSEMBLED PUMP WEIGHT: 135 LBS [62 KG]



GP120 FOAM PUMP with UNIVERSAL DRIVE CONFIGURATION			
MODEL NUMBER	PART NUMBER	SHAFT ROTATION	SHAFT POSITION
GP120U-T	31.017.2	STANDARD (RH - CW)	TOP (UPPER)
GP120U-RT	31.017.12	REVERSE (LH - CCW)	TOP (UPPER)
GP120U-B	31.017.4	STANDARD (LH - CCW)	BOTTOM (LOWER)
GP120U-RB	31.017.14	REVERSE (RH - CW)	BOTTOM (LOWER)

<p>EMERGENCY PRODUCTS, LLC</p>	<b>OUTLINE ASSEMBLY</b>		
	<small>UNLESS OTHERWISE SPECIFIED ALL DIMENSIONS ARE IN INCHES (mm)</small>		
<small>COPYRIGHT ©</small> <small>DRAWING NOT TO BE REPRODUCED OR USED TO MAKE OTHER DRAWINGS OR MACHINERY</small> <small>DRAWN BY: SMT</small> <small>CHECKED BY: MIS</small>	<small>SIZE</small> <b>B</b>	<small>DWG. NO.</small> <b>31.017.xx</b>	<small>REV.</small> 
<small>DATE: 10-04-2016</small>	<small>SCALE: NONE</small>	<small>SHEET 1 OF 1</small>	

STANDARD TOLERANCES: DECIMALS .XX ± .030 ANGLES ± 1/2°

SCALE: NONE