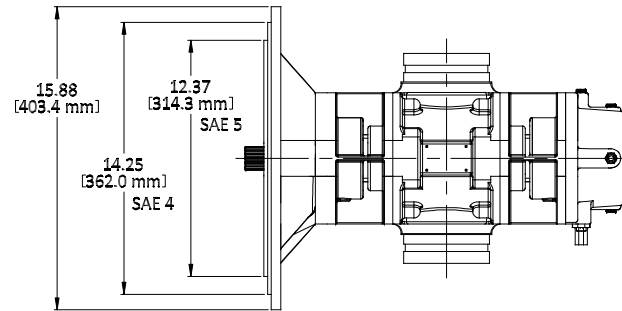
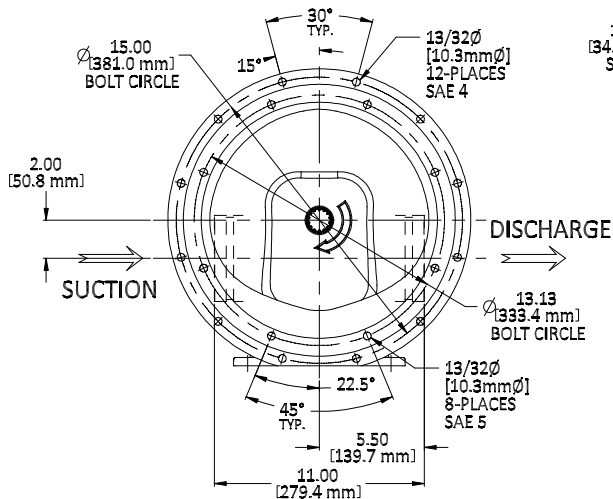


REVISIONS

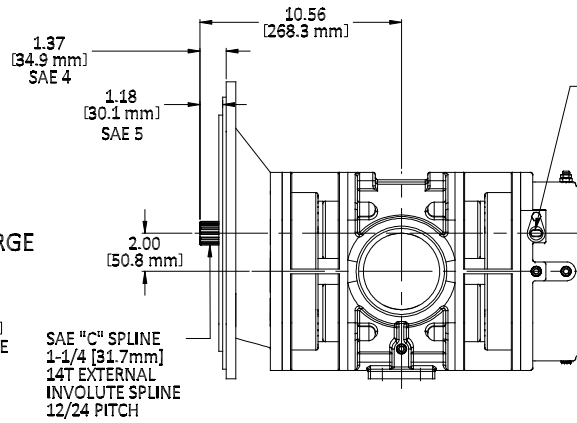
REV.	DESCRIPTION	DATE	DWN. BY	APPR'V'D.
A	REVISED TO UPDATE TIMING GEAR COVER	10-15-2018	SMT	MS



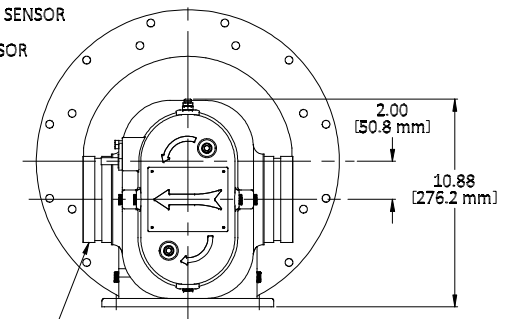
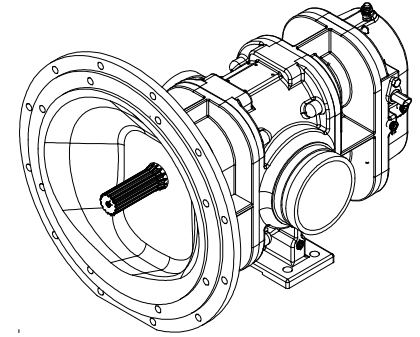
SAE BELL HOUSING MOTOR MOUNT
SAE #4 AND SAE #5 BOLT HOLE PATTERNS



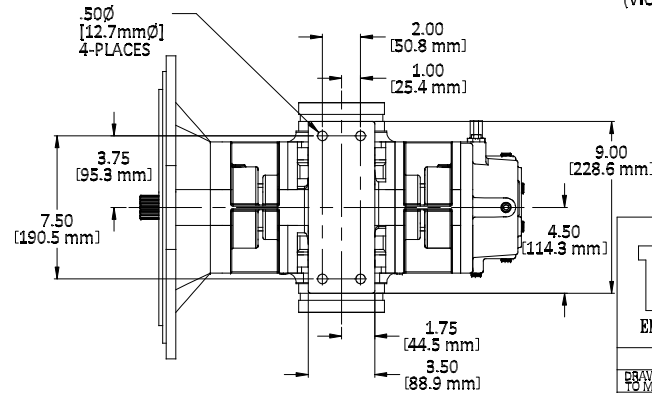
SHOWN AS STANDARD
RIGHT-HAND (CW)
SHAFT ROTATION



SHOWN WITH OPTIONAL SPEED SENSOR
FOR MEASURING PUMP SPEED.
PORT IS PLUGGED IF SPEED SENSOR
IS NOT SPECIFIED.



4" [101.6mm] PIPE
GROOVE CONNECTIONS
(VICTAULIC)



ASSEMBLED PUMP WEIGHT: 230 LBS [105 KG]

GP300 FOAM PUMP with SAE BELL HOUSING MOUNT

MODEL NUMBER	PART NUMBER	SHAFT ROTATION	SHAFT POSITION
GP300M-T	31.006.3	STANDARD (RH - CW)	TOP (UPPER)
GP300M-RT	31.006.13	REVERSE (LH - CCW)	TOP (UPPER)



OUTLINE ASSEMBLY

UNLESS OTHERWISE SPECIFIED
ALL DIMENSIONS ARE
IN INCHES [mm]

STANDARD TOLERANCES:
DECIMALS .XX ± .030
ANGLES ± 1/2°

COPYRIGHT ©
DRAWING NOT TO BE REPRODUCED OR USED
TO MAKE OTHER DRAWINGS OR MACHINERY
DRAWN BY SMT
CHECKED BY MS DATE: 10-11-2016

SIZE B	DWG. NO. 31.006.xx	REV. A
SCALE: NONE	SHEET 1 OF 1	