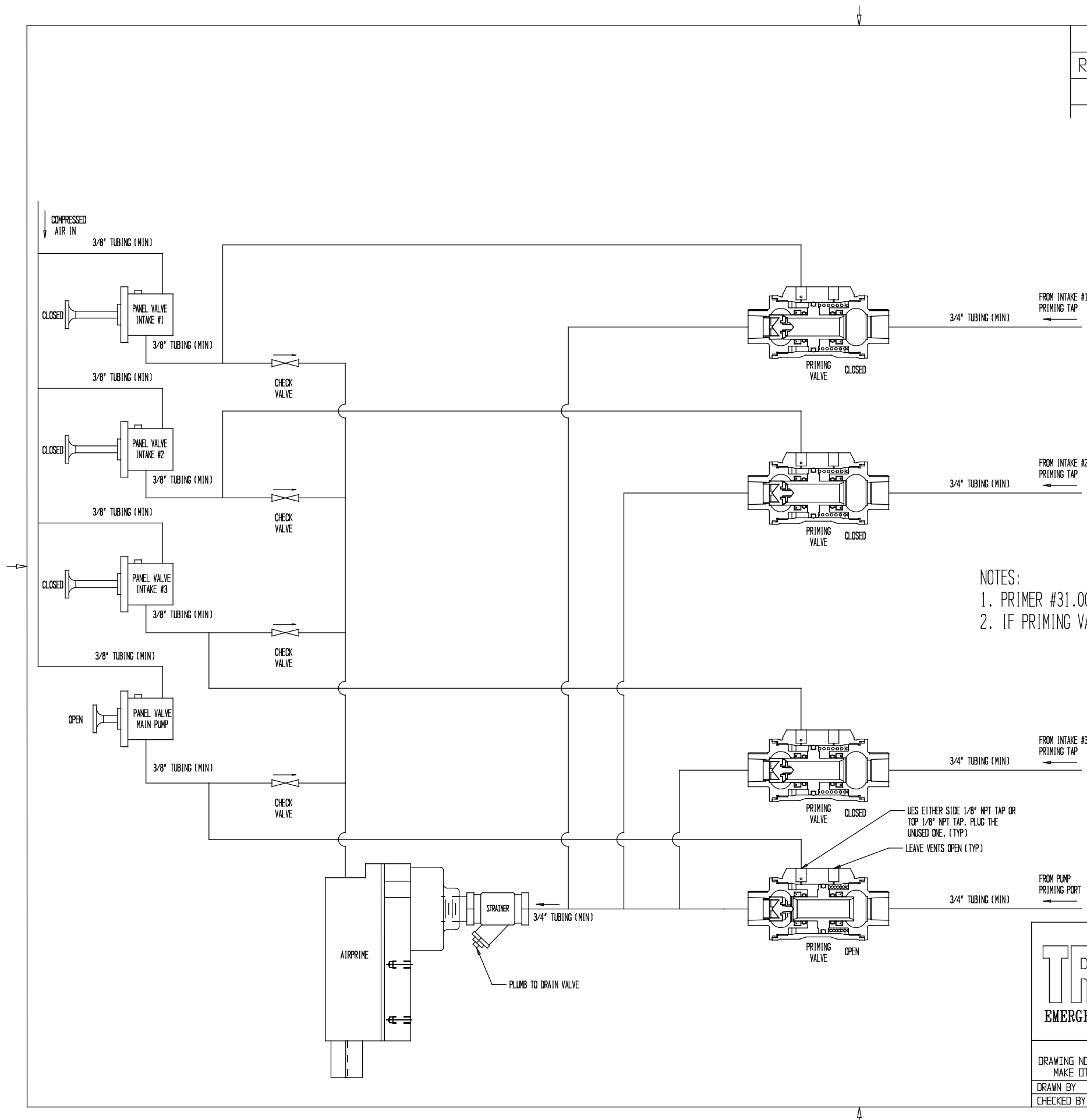
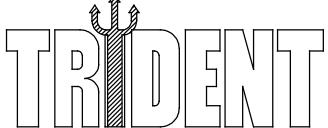


REVISIONS				
REV	DESCRIPTION	DATE	DRAWN BY	APPROVED



- NOTES:
1. PRIMER #31.001.13 INCLUDES ALL COMPONENTS FOR 4 PORTS.
 2. IF PRIMING VALVE IS MOUNTED BELOW AIR PRIME, ADD LINE(S) FROM LOW POINT(S) TO DRAIN VALVE(S).

LIES EITHER SIDE 1/8" NPT TAP OR TOP 1/8" NPT TAP. PLUG THE UNUSED ONE. (TYP)
LEAVE VENTS OPEN (TYP)

 EMERGENCY PRODUCTS, LLC	<h2>4 LOCATION PRIMING SYSTEM</h2>	
	<small>REPORT ERRORS & CHANGES REMOVE ALL SHARP EDGES UNLESS OTHERWISE SPECIFIED ALL DIMENSIONS ARE IN INCHES</small>	<small>STANDARD TOLERANCES:</small> DECIMALS .XX ± .030 .XXX ± .015 ANGLES ± 1/2°
<small>COPYRIGHT © DRAWING NOT TO BE REPRODUCED OR USED TO MAKE OTHER DRAWINGS OR MACHINERY</small>	SIZE B SCALE 1:4	DWG NO. 33.001.13 SHEET 1 OF 1
<small>DRAWN BY MS CHECKED BY MS</small>	DATE 03/12/2007	REV .