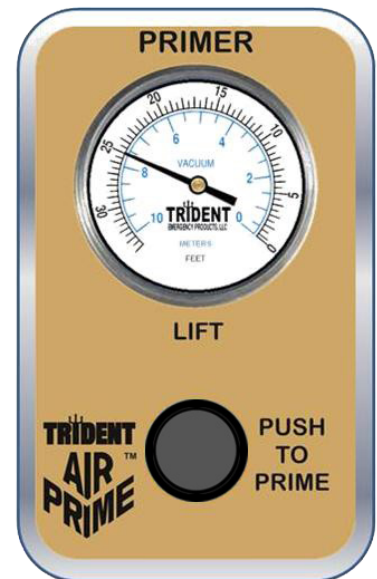
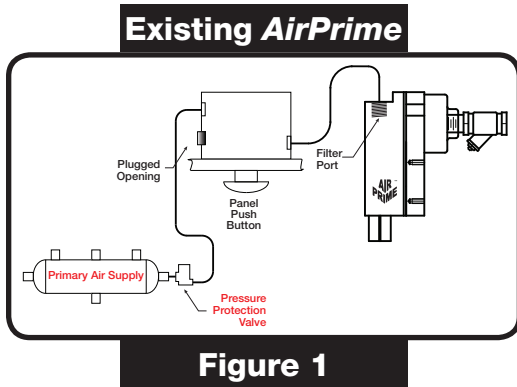


AirPrime Conversion Kit P/N 27.005.4

Adding a Lift Gauge to an Existing Manual AirPrime Unit



1/8" NPT Connection to Lift Gauge. This is where the male swivel elbow will be attached and pointed towards the gauge.

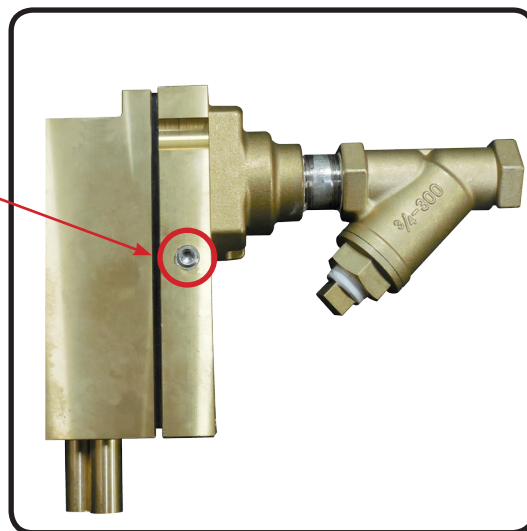


Figure 3

Installation Instructions

1. Locate your AirPrime unit that is typically installed within the pump enclosure in the upper area.
2. Verify that your AirPrime unit has the required $\frac{1}{8}$ " NPT port as shown in **Figure 3** on **Page 1**.
3. Verify that the AirPrime control location on the pump panel has the additional height available to accommodate the gauge. Refer to **Figure 4** below for the dimension requirements.
4. Remove the Stainless Steel pipe plug that sealed the $\frac{1}{8}$ " NPT port.
5. Install the 90° brass elbow with male threads that was supplied with the conversion kit. Direct the elbow towards the pump panel.
6. Locate the w control on the pump panel.
7. Remove the gold label to expose the mounting screws. Remove the screws and take the old carrier bezel off of the panel, and move the push button control behind the pump panel out of harms way for the remaining steps.
8. Locate position for the gauge and drill the 2.38" diameter hole in the pump panel as shown in **Figure 4** below.
9. Install the new carrier bezel supplied with the conversion kit with the hardware that was removed in **Step #7**. Tighten the flat head countersunk screws through the new carrier and into the old control switch as before.
10. Remove the backing paper and apply the new label onto the new carrier bezel.
11. Install the elbow fitting with female pipe thread to the back of the lift gauge pictured in **Figure 5**. Insert the lift gauge through the new carrier and secure the U Clamp shown in **Figure 5** below to the back of the pump panel with the threaded studs attached to the back of the gauge and nuts. Ensure that the gauge is straight prior to tightening.
12. Finally, connect a $\frac{1}{4}$ " tubing line of suitable length from the swivel push-to-connect fitting on the AirPrime installed in **Step #5** above to the push-to-connect fitting at the back of the lift gauge, as installed in **Step #11** above. **Note:** Push to connect fittings work best when the tubing is cut square and is free of burrs. Ensure that the tubing is installed as to avoid any contact with metal that may rub and cause abrasion.

Figure 4

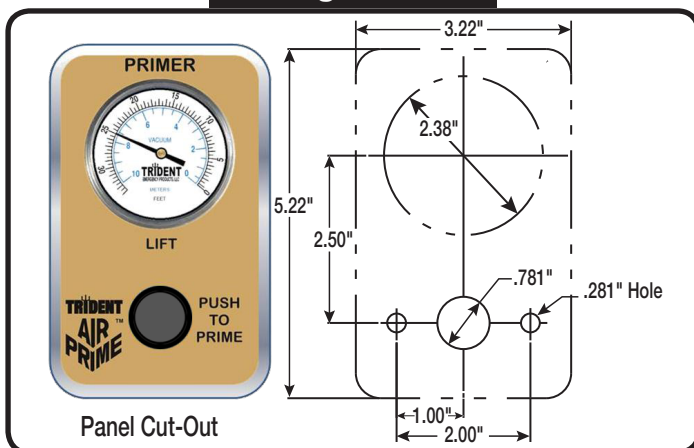


Figure 5

