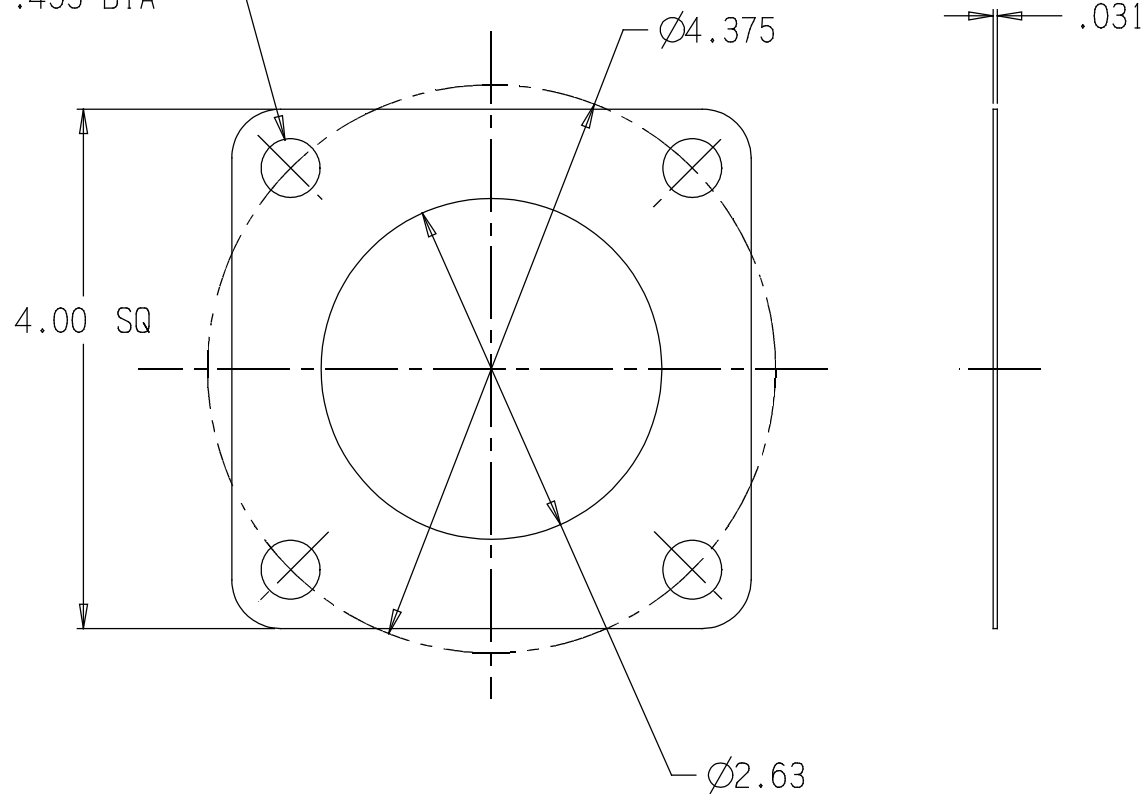



REVISIONS				
REV	DESCRIPTION	DATE	DRAWN BY	APPROVED

(4) HOLES
.453 DIA



MATERIAL: NITRILE RUBBER

 EMERGENCY PRODUCTS, LLC	GASKET, 4" SQUARE FLANGE		
	<small>REPORT ERRORS & CHANGES REMOVE ALL SHARP EDGES UNLESS OTHERWISE SPECIFIED ALL DIMENSIONS ARE IN INCHES</small>		<small>STANDARD TOLERANCES:</small> <small>DECIMALS .XX ± .030</small> <small>ANGLES ± 1/2°</small> <small>.XXX ± .015</small>
<small>COPYRIGHT © DRAWING NOT TO BE REPRODUCED OR USED TO MAKE OTHER DRAWINGS OR MACHINERY</small>	<small>SIZE</small> B	<small>DWG NO.</small> 03.26.5PC	<small>REV</small>
<small>DRAWN BY</small> 	<small>NO</small> 	<small>DATE</small> 02-11-2014	<small>SCALE</small> 1:1
<small>CHECKED BY</small> 	<small>MS</small> 		<small>SHEET</small> 1 OF 1