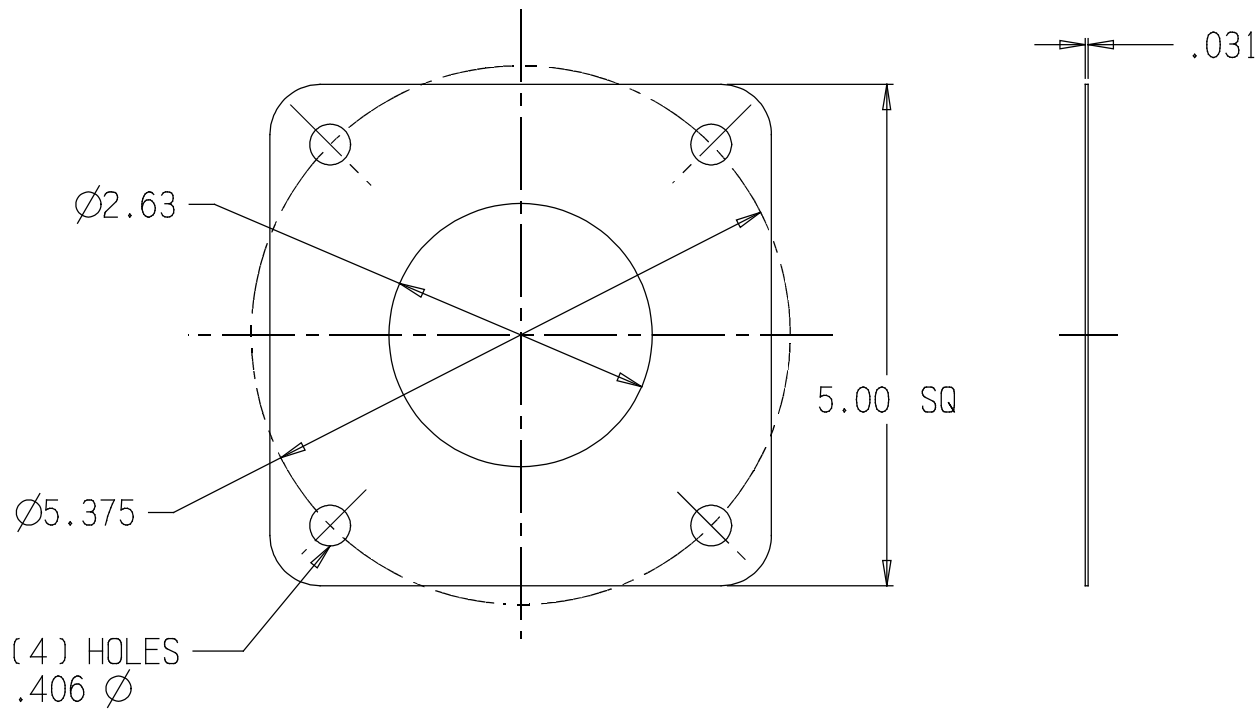


REVISIONS				
REV	DESCRIPTION	DATE	DRAWN BY	APPROVED



MATERIAL: NITRILE RUBBER



GASKET, 2.5" VALVE FLANGE

REPORT ERRORS & CHANGES
REMOVE ALL SHARP EDGES
UNLESS OTHERWISE SPECIFIED
ALL DIMENSIONS ARE IN INCHES

STANDARD TOLERANCES:

DECIMALS	ANGLES
.XX ± .030	± 1/2°
.XXX ± .015	

COPYRIGHT ©
DRAWING NOT TO BE REPRODUCED OR USED TO
MAKE OTHER DRAWINGS OR MACHINERY

DRAWN BY	MD	DATE 02-11-2014
CHECKED BY	MS	

SIZE	DWG NO.	REV
A	03.026.3PC	
SCALE 1:1	SHEET 1 OF 1	