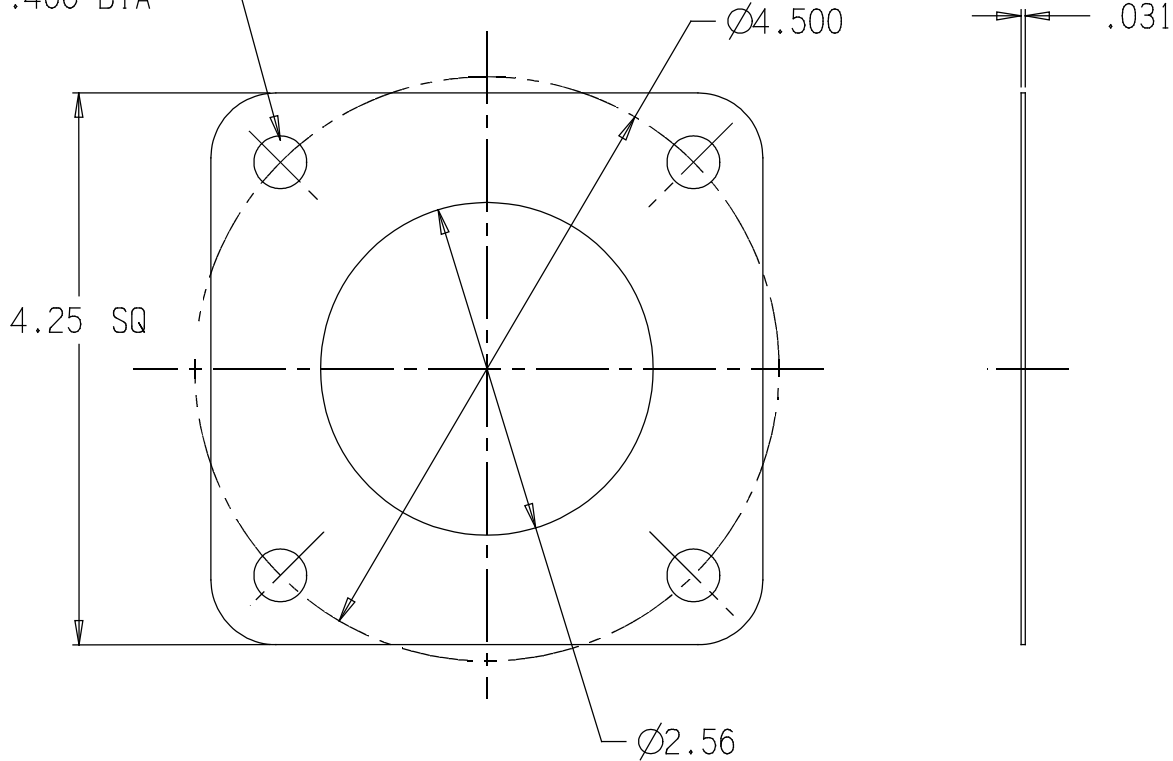


REVISIONS				
REV	DESCRIPTION	DATE	DRAWN BY	APPROVED

(4) HOLES  
.406 DIA



MATERIAL: NITRILE RUBBER



GASKET, 2" VALVE FLANGE

REPORT ERRORS & CHANGES  
REMOVE ALL SHARP EDGES  
UNLESS OTHERWISE SPECIFIED  
ALL DIMENSIONS ARE IN INCHES

STANDARD TOLERANCES:

DECIMALS	ANGLES
.XX ± .030	± 1/2°
.XXX ± .015	

COPYRIGHT ©  
DRAWING NOT TO BE REPRODUCED OR USED TO  
MAKE OTHER DRAWINGS OR MACHINERY

DRAWN BY: MS  
CHECKED BY: MS

SIZE: B

DWG NO.: 03.26.2PC

SCALE: 1:1

REV: .

SHEET 1 OF 1

DATE 02-11-2014