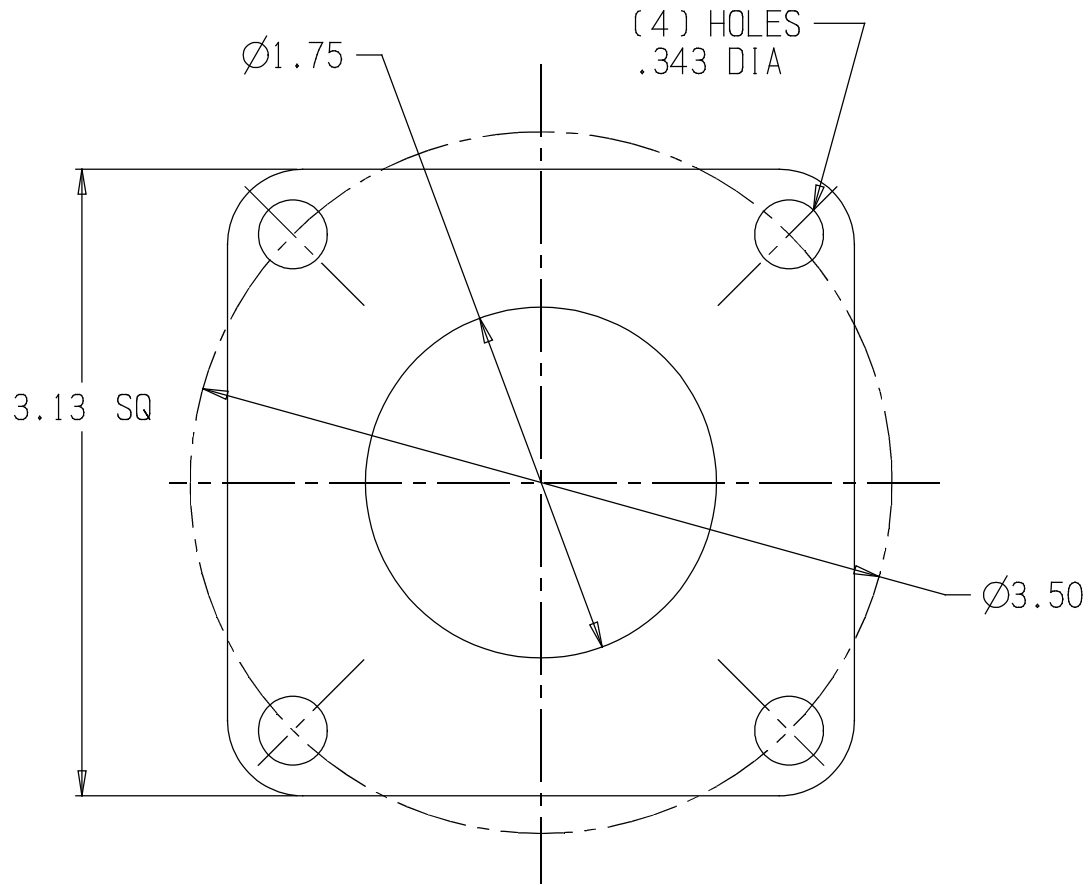


REVISIONS				
REV	DESCRIPTION	DATE	DRAWN BY	APPROVED



MATERIAL: NITRILE RUBBER



## GASKET, 1.5" VALVE FLANGE

REPORT ERRORS & CHANGES  
REMOVE ALL SHARP EDGES  
UNLESS OTHERWISE SPECIFIED  
ALL DIMENSIONS ARE IN INCHES

STANDARD TOLERANCES:

DECIMALS	ANGLES
.XX ± .030	± 1/2°
.XXX ± .015	

COPYRIGHT ©  
DRAWING NOT TO BE REPRODUCED OR USED TO  
MAKE OTHER DRAWINGS OR MACHINERY

DRAWN BY	MD	DATE 02-11-2014
CHECKED BY	MS	

SIZE	A
------	---

DWG NO.	03.026.1PC	REV	
---------	------------	-----	--

SCALE 1:1

SHEET 1 OF 1