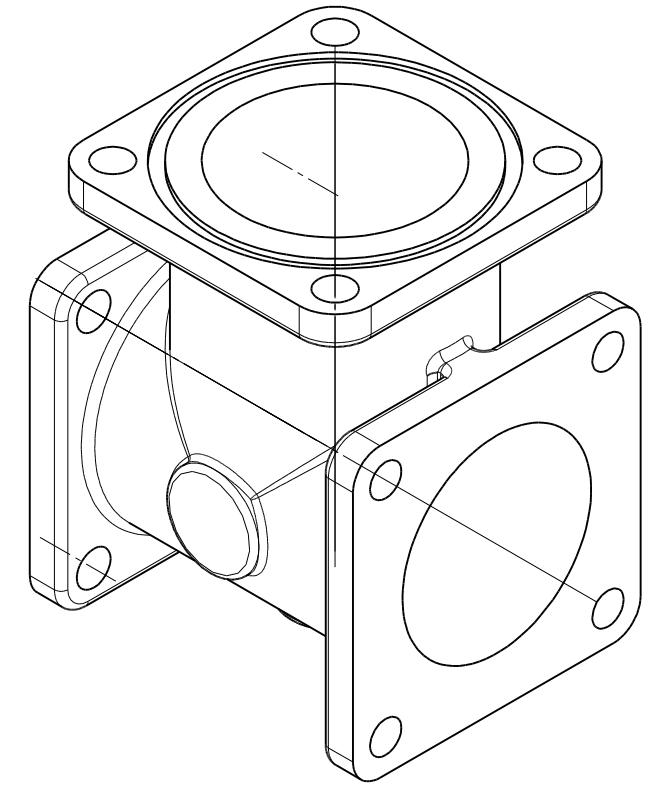
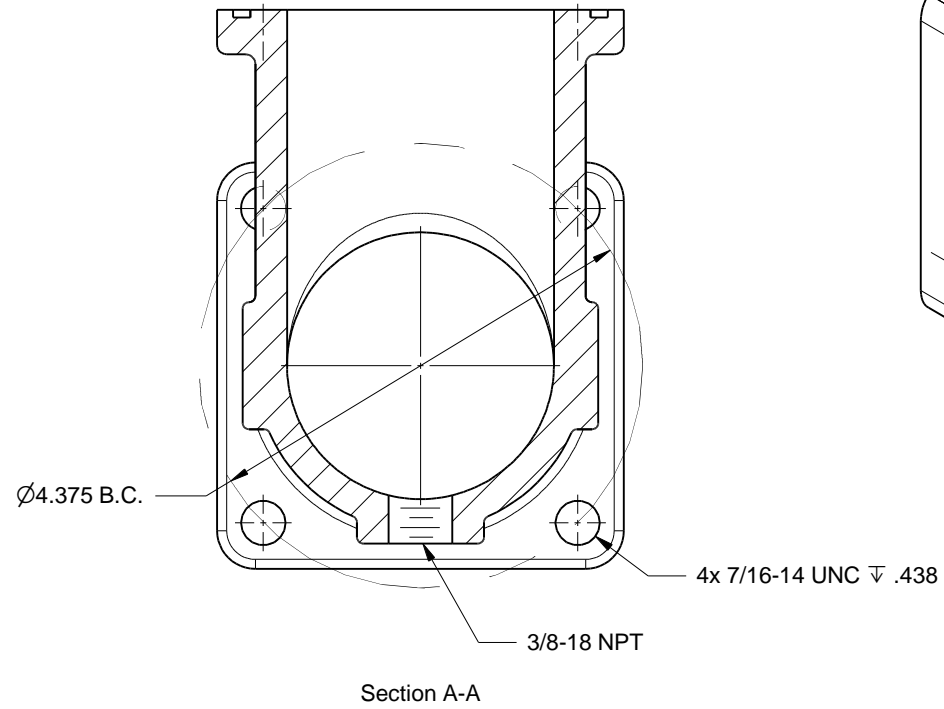
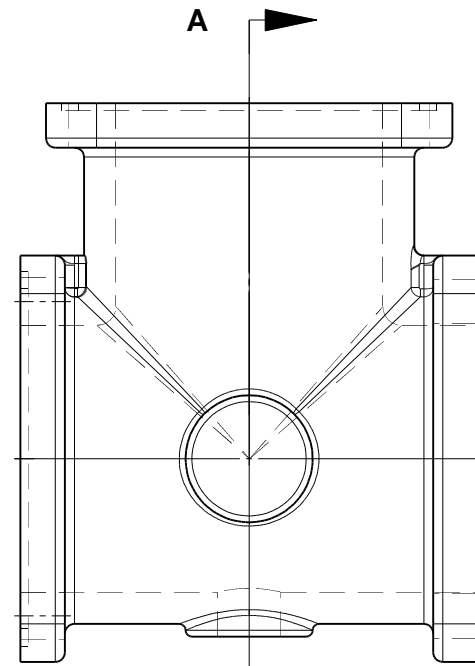
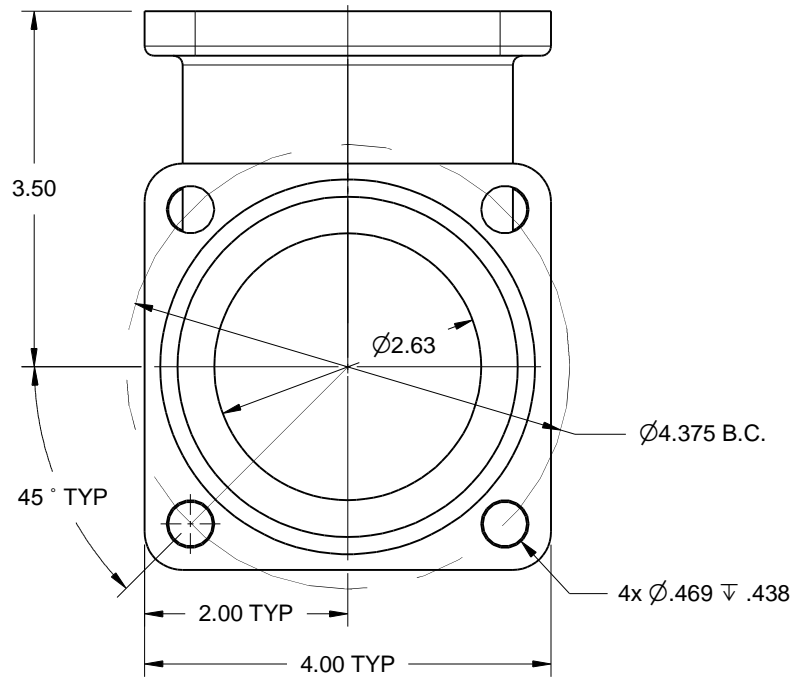
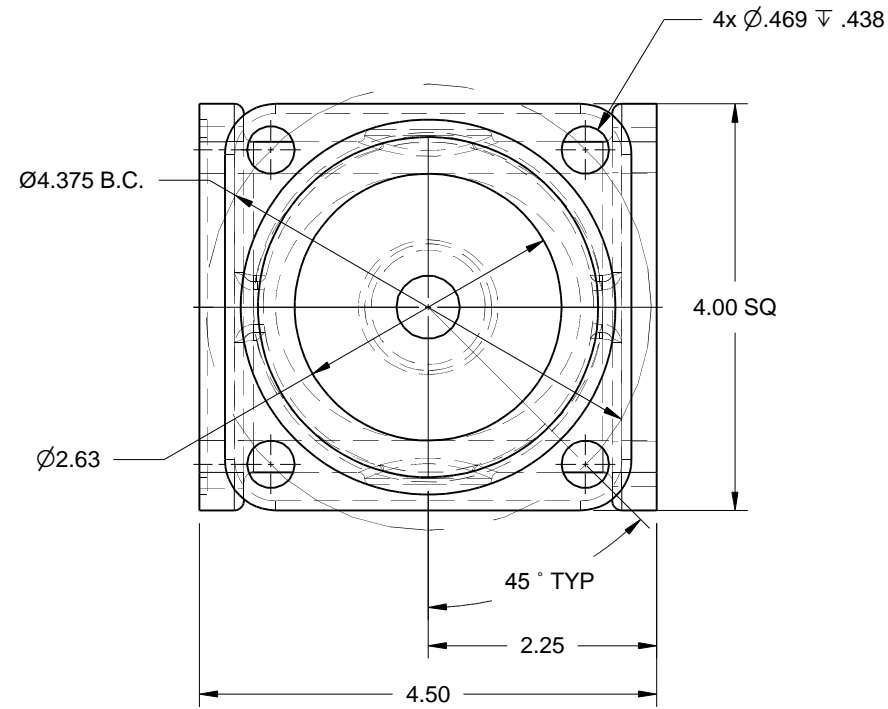


NOTES:

- 1. MATERIAL - ALUMINUM
- 2. HARD COAT ANODIZE

REVISIONS				
ZONE	REV	DESCRIPTION	DATE	APPROVED



Volume = 26.9 in³
 Mass = 1.19 kg
 Surface Area = 178 in²

REMOVE ALL SHARP EDGES
 ALL DIMENSIONS ARE INCHES
 STANDARD TOLERANCES:
 .XX +/- .015
 .XXX +/- .005
 ANGLES +/- .5°

COPYRIGHT ©
 DRAWING NOT TO BE REPRODUCED
 OR USED TO MAKE OTHER
 DRAWINGS OR MACHINERY

DRAWN MS	DATE 09/10/2013
CHECKED	
QA	
MFG	
APPROVED	

TRIDENT EMERGENCY PRODUCTS, LLC "Tomorrow's Ideas Delivered Today"			
BODY, DISCHARGE MANIFOLD TEE, ALUMINUM			
SIZE B	FSCM NO.	DWG NO. 07.028.0PC	REV
SCALE 1:2	SHEET		1 OF 1