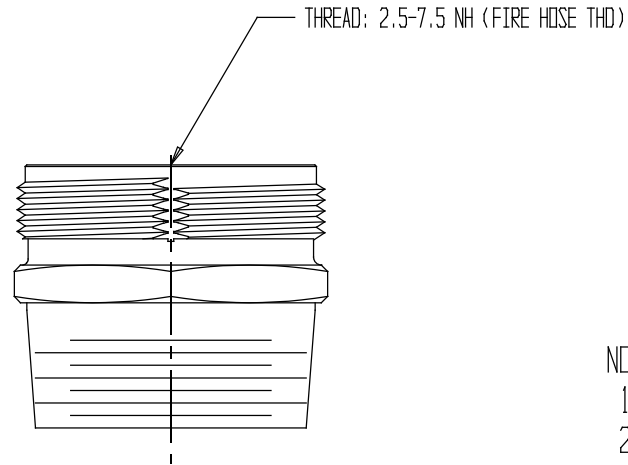



SECTION A-A

REVISIONS				
REV	DESCRIPTION	DATE	DRAWN BY	APPROVED



- NOTES:
 1) MATERIAL: BRASS
 2) CHROME PLATED


TRIDENT
 EMERGENCY PRODUCTS, LLC

COPYRIGHT ©
 DRAWING NOT TO BE REPRODUCED OR USED TO
 MAKE OTHER DRAWINGS OR MACHINERY

DRAWN BY MS	DATE 10/28/2009
CHECKED BY MS	

ADAPTER-2.5MNHx2.5MNPT

REPORT ERRORS & CHANGES REMOVE ALL SHARP EDGES UNLESS OTHERWISE SPECIFIED ALL DIMENSIONS ARE IN INCHES	STANDARD TOLERANCES: DECIMALS .XX ± .030 .XXX ± .015 ANGLES ± 1/2°
---	---

SIZE A	DWG NO. 01.011.10PC	REV .	
SCALE 1:2	SHEET 1 OF 1		