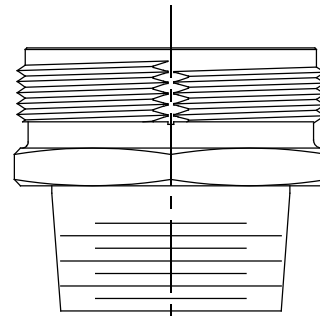
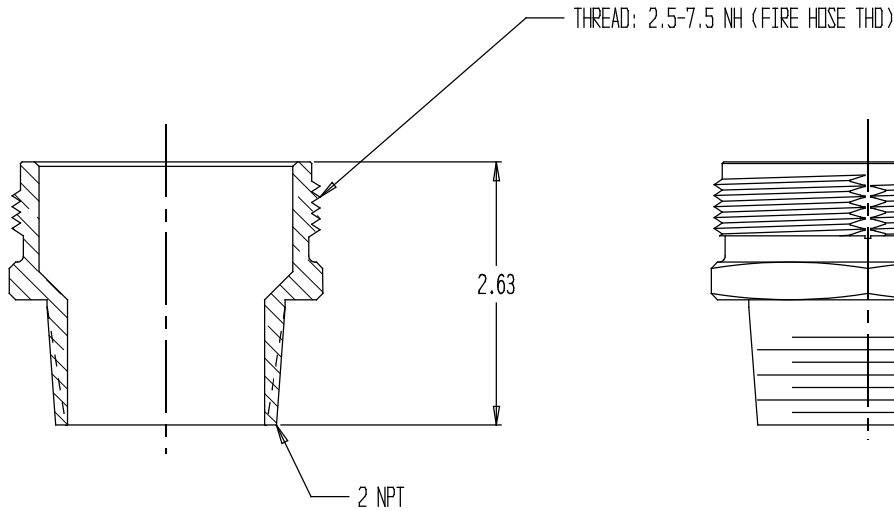


REVISIONS				
REV	DESCRIPTION	DATE	DRAWN BY	APPROVED



NOTES:
 1) MATERIAL: BRASS
 2) CHROME PLATED

SECTION A-A



ADAPTER-2.5MNHx2MNPT

REPORT ERRORS & CHANGES
 REMOVE ALL SHARP EDGES
 UNLESS OTHERWISE SPECIFIED
 ALL DIMENSIONS ARE IN INCHES

STANDARD TOLERANCES:
 DECIMALS .XX ± .030
 .XXX ± .015
 ANGLES ± 1/2°

COPYRIGHT ©
 DRAWING NOT TO BE REPRODUCED OR USED TO
 MAKE OTHER DRAWINGS OR MACHINERY

SIZE
 A

DWG
 NO.

01.136.0PC

REV

DRAWN BY MS
 CHECKED BY MS

DATE 03/27/2013

SCALE 1:2

SHEET 1 OF 1