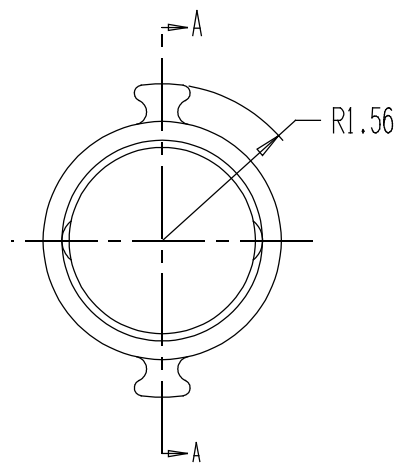
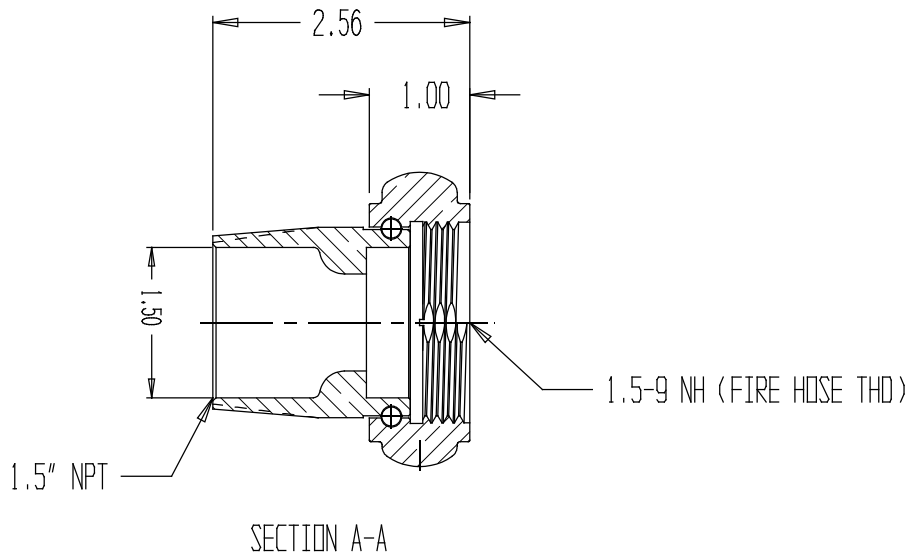
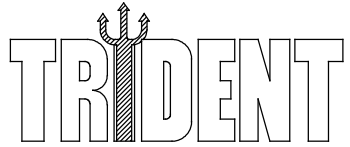


REVISIONS				
REV	DESCRIPTION	DATE	DRAWN BY	APPROVED



MATERIAL: BRASS-CHROME PLATED

 <p>EMERGENCY PRODUCTS, LLC</p>	<p>ADAPTER, 1.5" MNPT x 1.5 F SWIVEL</p>			
	<p>REPORT ERRORS & CHANGES REMOVE ALL SHARP EDGES UNLESS OTHERWISE SPECIFIED ALL DIMENSIONS ARE IN INCHES</p>	<p>STANDARD TOLERANCES:</p> <p>DECIMALS: .XX ± .030 .XXX ± .015</p>	<p>ANGLES: ± 1/2°</p>	<p>SIZE: A</p>
<p>COPYRIGHT © DRAWING NOT TO BE REPRODUCED OR USED TO MAKE OTHER DRAWINGS OR MACHINERY</p>	<p>DATE 08/09/2011</p>	<p>SCALE 1:2</p>	<p>SHEET 1 OF 1</p>	<p>REV</p>
<p>DRAWN BY MS CHECKED BY MS</p>	<p>DATE 08/09/2011</p>	<p>SCALE 1:2</p>	<p>SHEET 1 OF 1</p>	<p>REV</p>