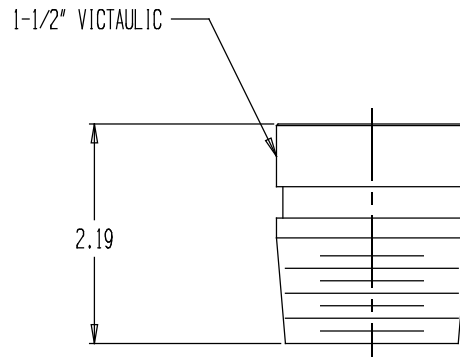
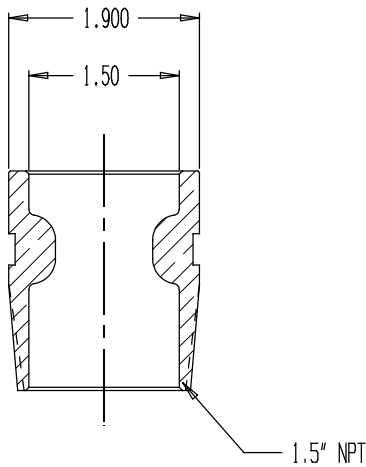


REVISIONS				
REV	DESCRIPTION	DATE	DRAWN BY	APPROVED



NOTES:
1) MATERIAL: BRASS

SECTION A-A



NIPPLE, 1.5" MNPT X 1.5" VIC

REPORT ERRORS & CHANGES
REMOVE ALL SHARP EDGES
UNLESS OTHERWISE SPECIFIED
ALL DIMENSIONS ARE IN INCHES

STANDARD TOLERANCES:
DECIMALS .XX ± .030
 .XXX ± .015
ANGLES ± 1/2°

COPYRIGHT ©
DRAWING NOT TO BE REPRODUCED OR USED TO
MAKE OTHER DRAWINGS OR MACHINERY

DRAWN BY	MS	DATE	05/09/2003
CHECKED BY	MS		

SIZE	A	DWG NO.	09.017.0PC	REV	.
SCALE	1:2	SHEET 1 OF 1			