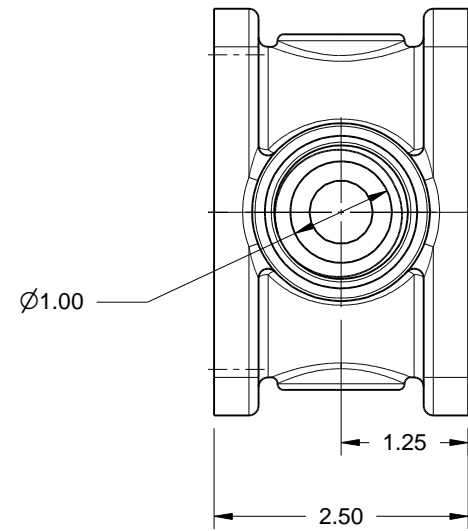


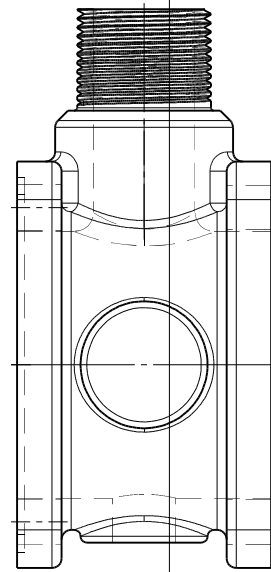
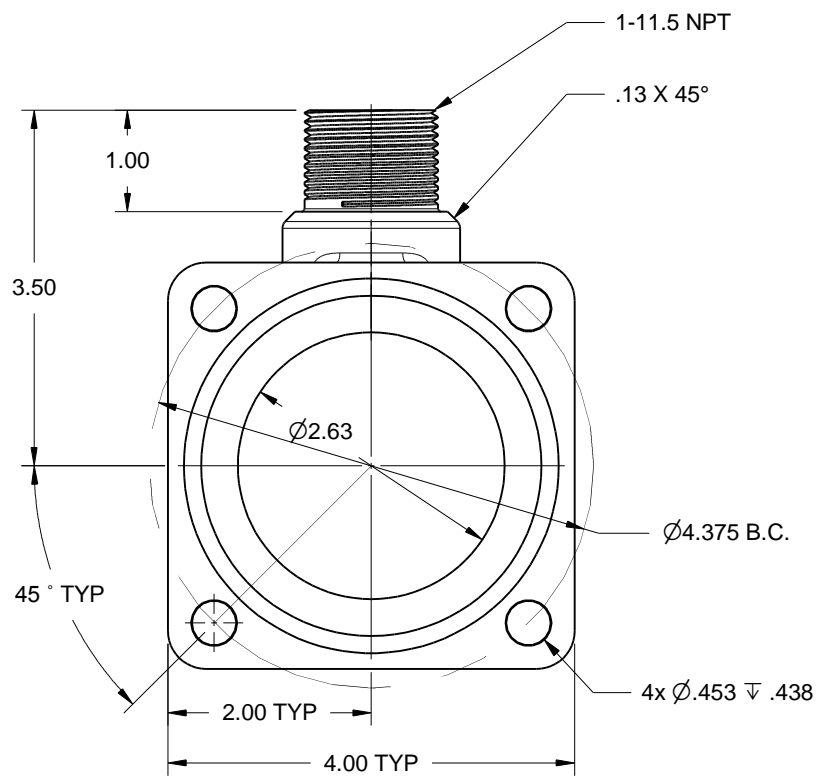
NOTES:

- 1. MATERIAL - A356-T6 ALUMINUM
- 2. HARD COAT ANODIZE

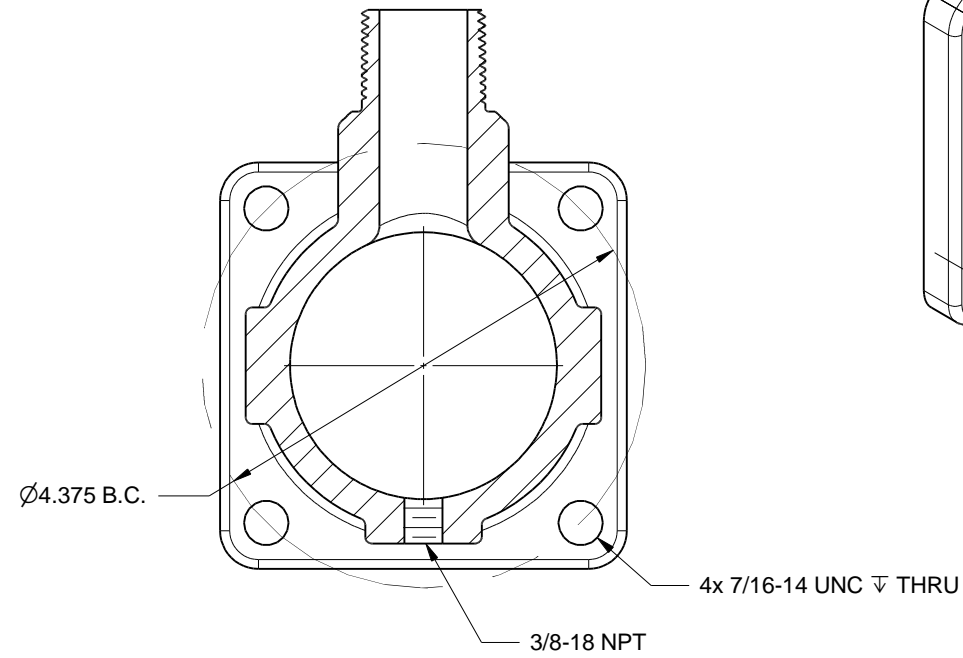
REVISIONS				
ZONE	REV	DESCRIPTION	DATE	APPROVED



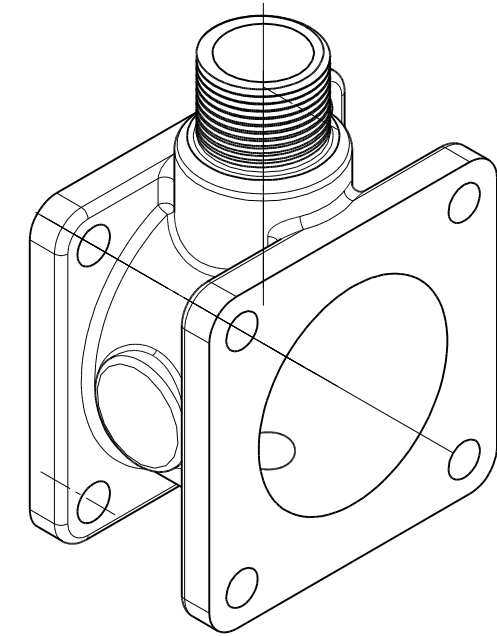
A



A



Section A-A



Volume = 15.3 in<sup>3</sup>  
 Mass = .68 kg  
 Surface Area = 106 in<sup>2</sup>

REMOVE ALL SHARP EDGES ALL DIMENSIONS ARE INCHES STANDARD TOLERANCES: .XX +/- .015 .XXX +/- .005 ANGLES +/- .5°	DRAWN	DATE	<b>TRIDENT EMERGENCY PRODUCTS, LLC</b> <i>"Tomorrow's Ideas Delivered Today"</i>			
	MS	09/20/2013				
	CHECKED		<b>BODY, DISCHARGE MANIFOLD</b> <b>1" NPT ALUMINUM</b>			
QA						
COPYRIGHT © DRAWING NOT TO BE REPRODUCED	MFG		SIZE	FSCM NO.	DWG NO.	REV
OR USED TO MAKE OTHER DRAWINGS OR MACHINERY	APPROVED		<b>B</b>		07.030.10PC	
			SCALE	1:2	SHEET	1 OF 1