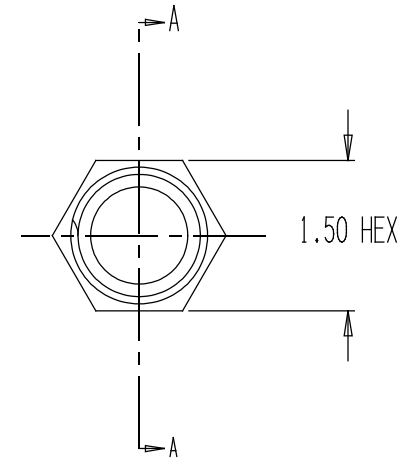
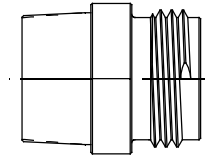
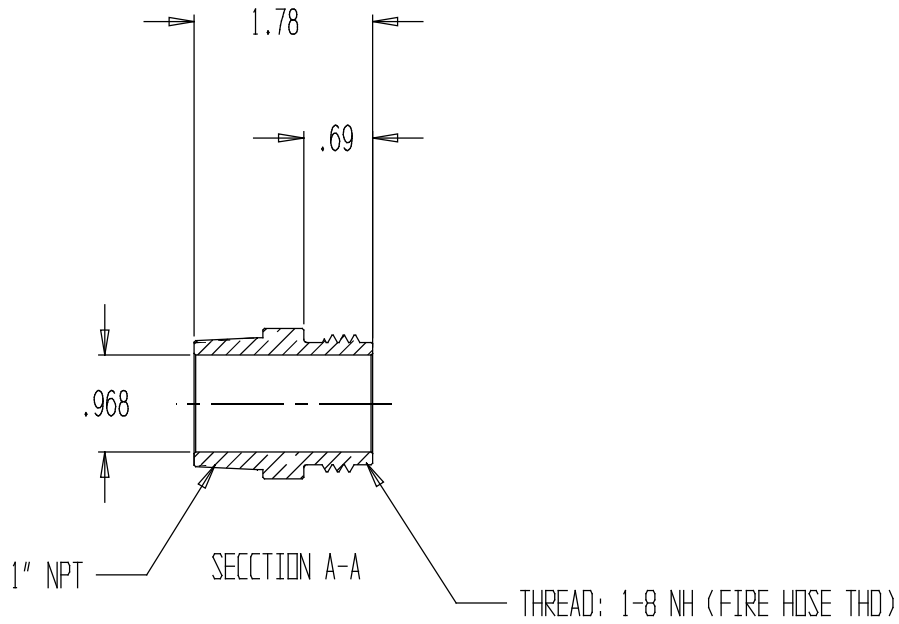


REVISIONS				
REV	DESCRIPTION	DATE	DRAWN BY	APPROVED



NOTES:
1) MATERIAL: BRASS



ADAPTER, 1" MNPT x 1" MNH

REPORT ERRORS & CHANGES
REMOVE ALL SHARP EDGES
UNLESS OTHERWISE SPECIFIED
ALL DIMENSIONS ARE IN INCHES

STANDARD TOLERANCES:
DECIMALS .XX ± .030
.XXX ± .015
ANGLES ± 1/2°

COPYRIGHT ©
DRAWING NOT TO BE REPRODUCED OR USED TO
MAKE OTHER DRAWINGS OR MACHINERY

DRAWN BY	MOD	DATE
CHECKED BY	MS	10-07-2013

SIZE	DWG NO.	REV
A	01.164.1PC	.
SCALE 1:2	SHEET 1 OF 1	