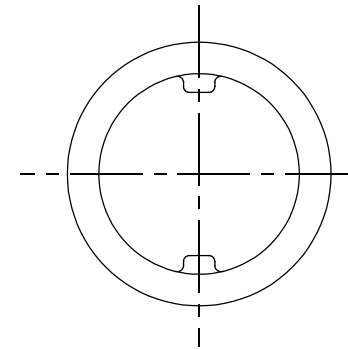
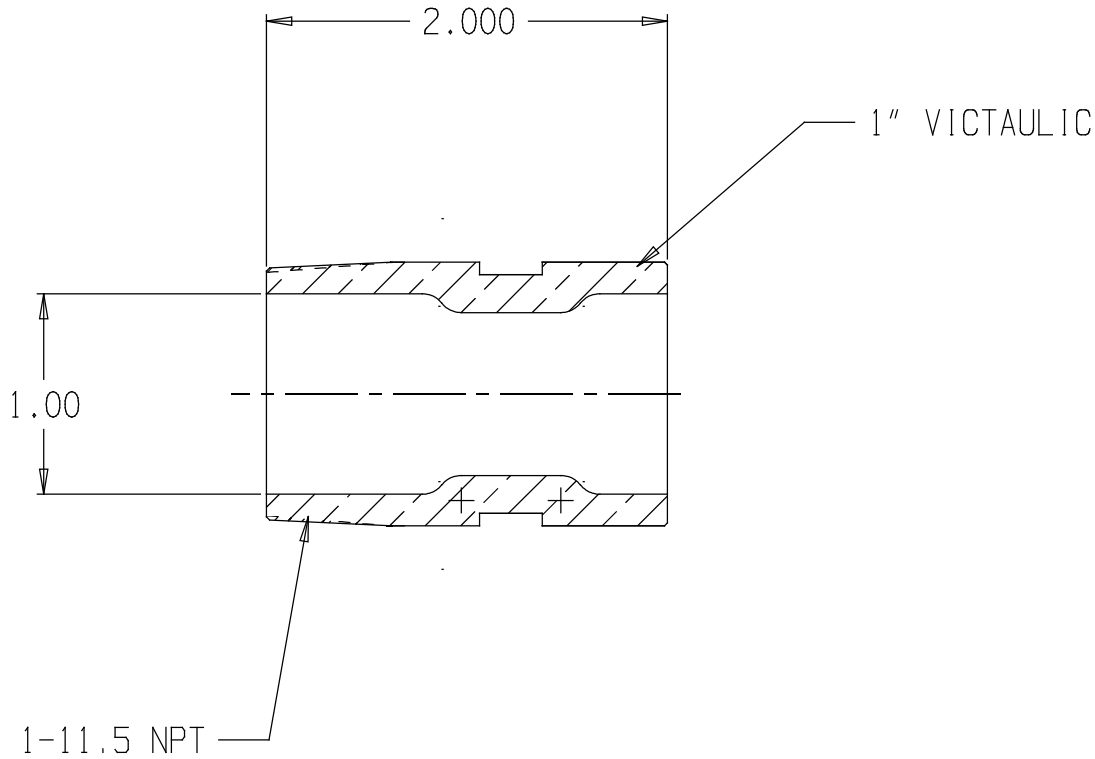


REVISIONS				
REV	DESCRIPTION	DATE	DRAWN BY	APPROVED



MATERIAL: BRASS



NIPPLE 1" MNPT X 1" VIC

REPORT ERRORS & CHANGES
 REMOVE ALL SHARP EDGES
 UNLESS OTHERWISE SPECIFIED
 ALL DIMENSIONS ARE IN INCHES

STANDARD TOLERANCES:
 DECIMALS .XX ± .030
 .XXX ± .015
 ANGLES ± 1/2°

COPYRIGHT ©
 DRAWING NOT TO BE REPRODUCED OR USED TO
 MAKE OTHER DRAWINGS OR MACHINERY

DRAWN BY	MD	DATE 01-21-2014
CHECKED BY	MS	

SIZE A	DWG NO. 09.017.6PC	REV
SCALE 1:1	SHEET . OF .	