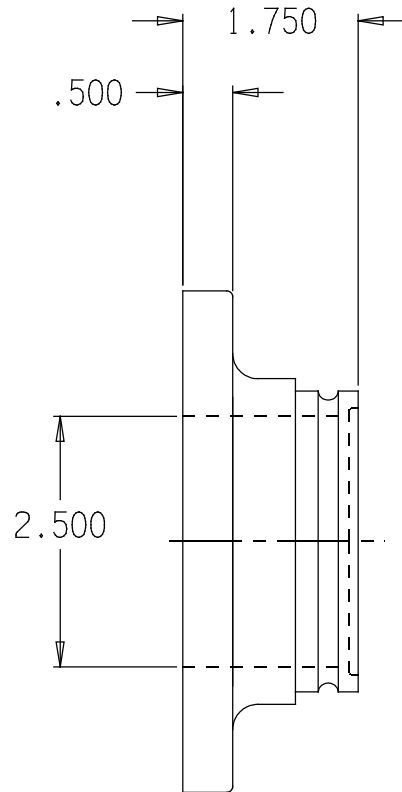
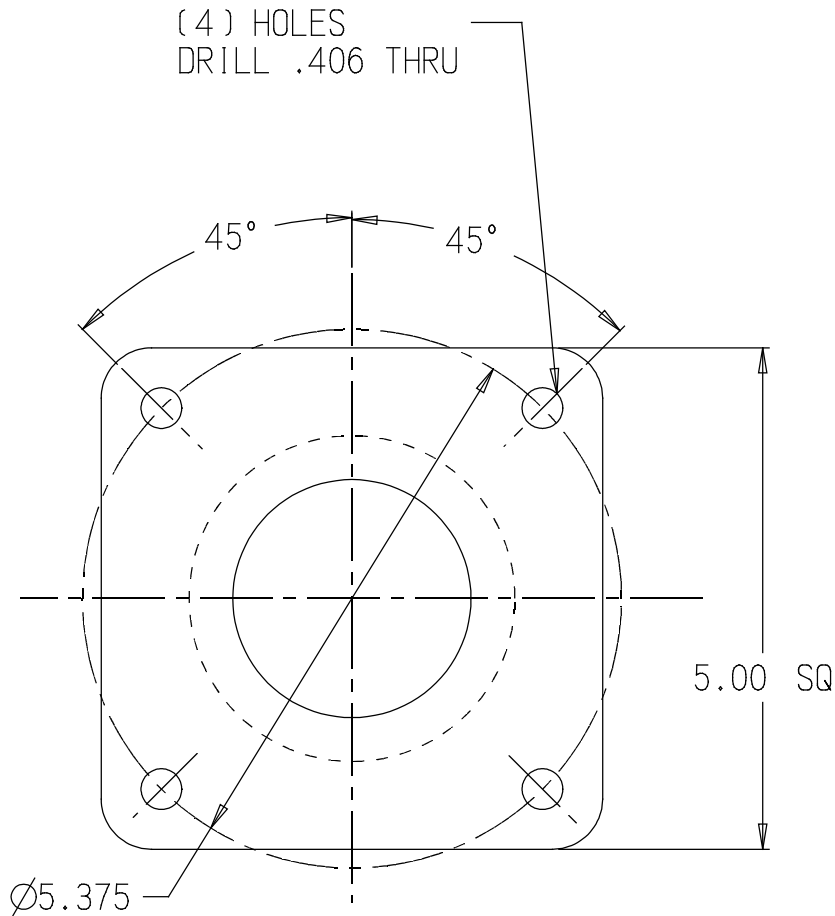


REVISIONS				
REV	DESCRIPTION	DATE	DRAWN BY	APPROVED



MATERIAL: ALUMINUM



## 2.5 FLANGE X 2.5 SWIVEL

REPORT ERRORS & CHANGES  
REMOVE ALL SHARP EDGES  
UNLESS OTHERWISE SPECIFIED  
ALL DIMENSIONS ARE IN INCHES

STANDARD TOLERANCES:

DECIMALS	ANGLES
.XX ± .030	± 1/2°
.XXX ± .015	

COPYRIGHT ©  
DRAWING NOT TO BE REPRODUCED OR USED TO  
MAKE OTHER DRAWINGS OR MACHINERY

SIZE  
A

DWG  
NO.

09.067.5PC

REV

DRAWN BY  
CHECKED BY

MD  
MS

DATE 12-12-2013

SCALE 1:1

SHEET 1 OF 1