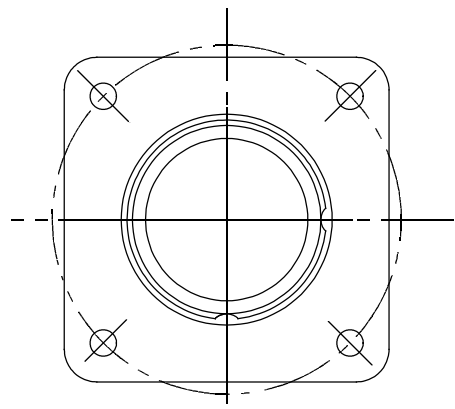
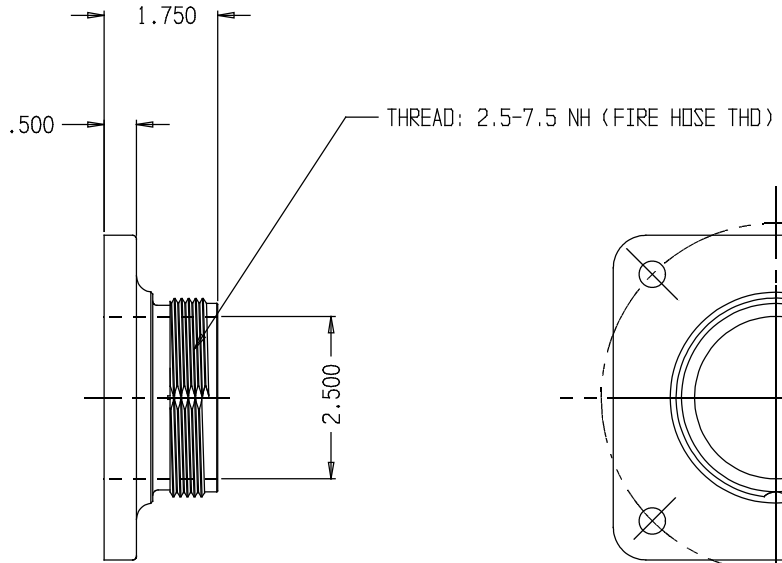
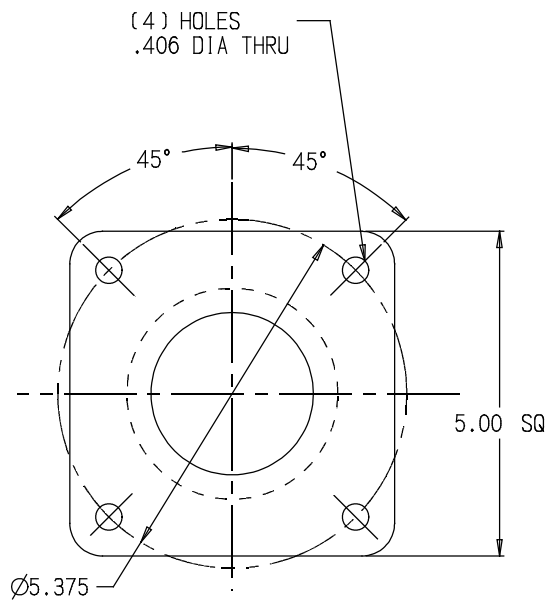



REVISIONS				
REV	DESCRIPTION	DATE	DRAWN BY	APPROVED



NOTES:  
1) MATERIAL: ALUMINUM  
2) HARD COAT ANODIZE

 <b>EMERGENCY PRODUCTS, LLC</b>	<b>2.5 FLANGE X 2.5 MNH</b>		
	<small>REPORT ERRORS &amp; CHANGES REMOVE ALL SHARP EDGES UNLESS OTHERWISE SPECIFIED ALL DIMENSIONS ARE IN INCHES</small>	<small>STANDARD TOLERANCES:</small> DECIMALS .XX ± .030 .XXX ± .015	<small>ANGLES</small> ± 1/2°
<small>COPYRIGHT © DRAWING NOT TO BE REPRODUCED OR USED TO MAKE OTHER DRAWINGS OR MACHINERY</small>	SIZE B	DWG NO. 09.067.2PC	REV .
<small>DRAWN BY</small> <small>CHECKED BY</small>	<small>MOD</small> <small>MS</small>	DATE 08-22-2013	SCALE 1:1 SHEET 1 OF 1