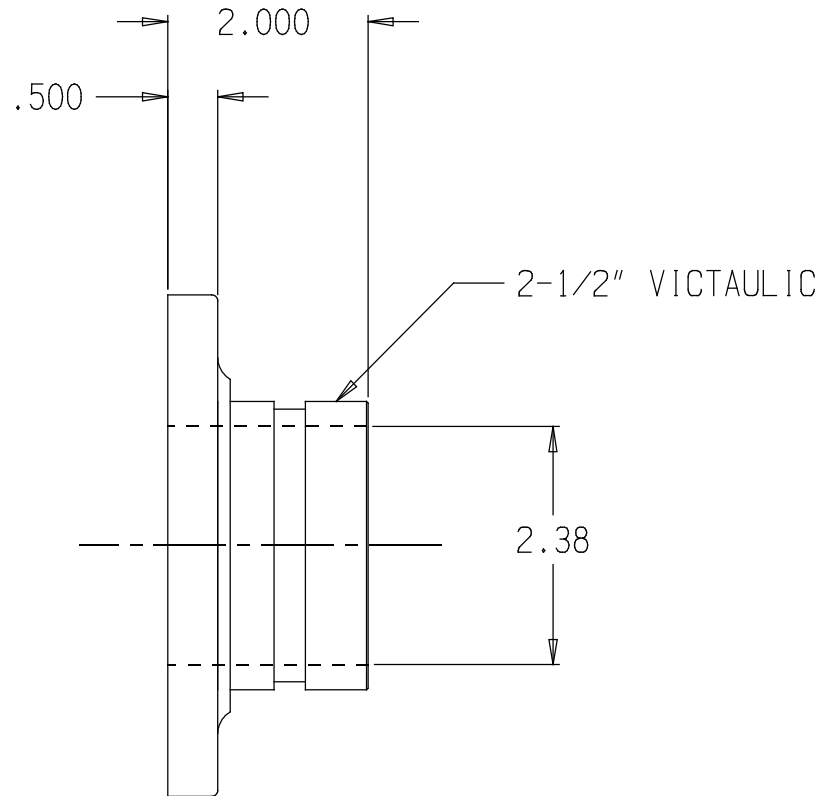
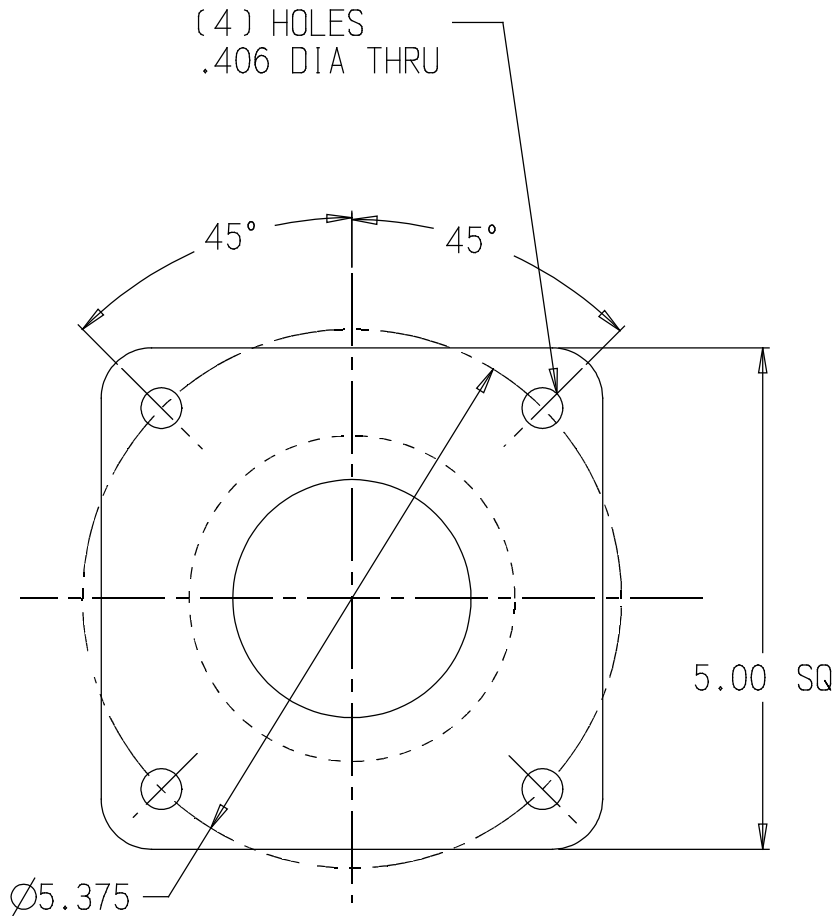


REVISIONS				
REV	DESCRIPTION	DATE	DRAWN BY	APPROVED



- NOTES:
 1) MATERIAL: ALUMINUM
 2) HARD COAT ANODIZE



2.5 FLANGE X 2.5 VIC

REPORT ERRORS & CHANGES
 REMOVE ALL SHARP EDGES
 UNLESS OTHERWISE SPECIFIED
 ALL DIMENSIONS ARE IN INCHES

STANDARD TOLERANCES:

DECIMALS	ANGLES
.XX ± .030	± 1/2°
.XXX ± .015	

COPYRIGHT ©
 DRAWING NOT TO BE REPRODUCED OR USED TO
 MAKE OTHER DRAWINGS OR MACHINERY

SIZE
 A

DWG
 NO.

09.067.1PC

REV

DRAWN BY MDD
 CHECKED BY MS
 DATE 07-21-2013

SCALE 1:1

SHEET 1 OF 1