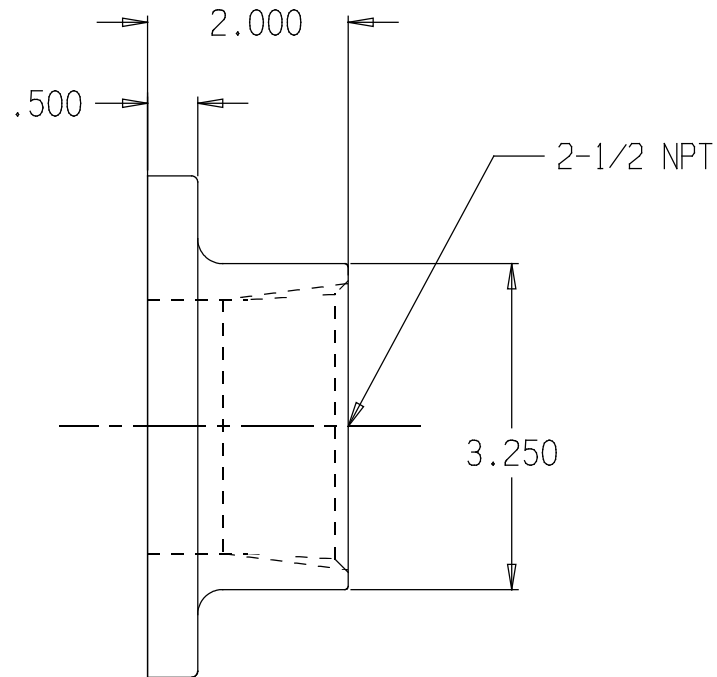
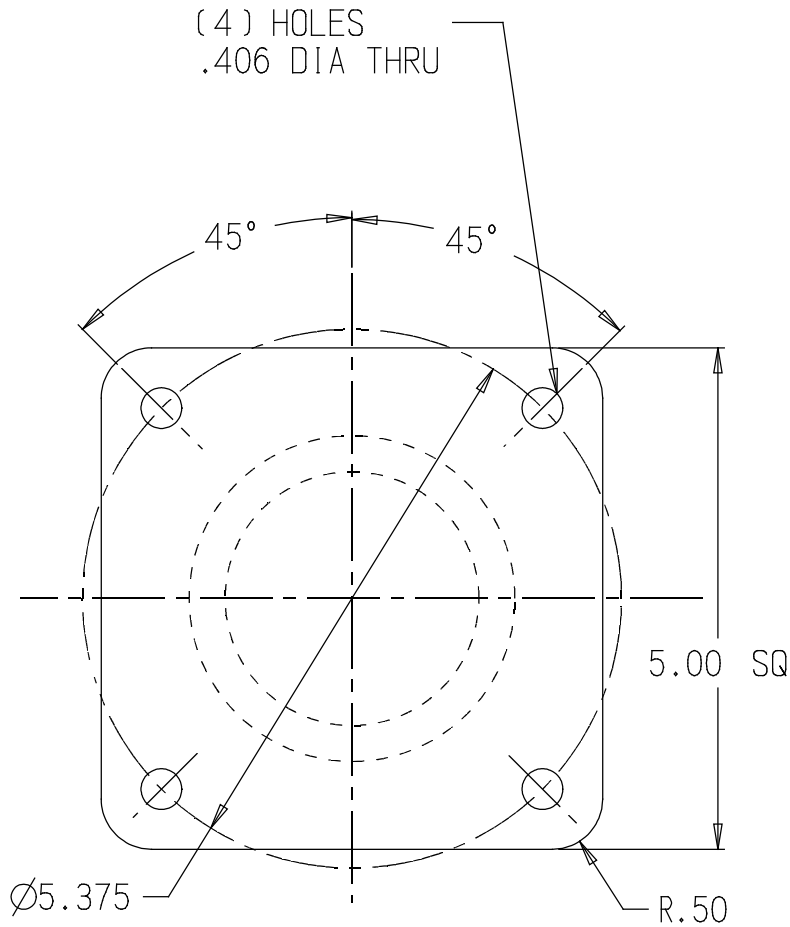


REVISIONS				
REV	DESCRIPTION	DATE	DRAWN BY	APPROVED



- NOTES:
- 1) MATERIAL: ALUMINUM
 - 2) HARD COAT ANODIZE



2.5 FLANGE X 2.5 FNPT

REPORT ERRORS & CHANGES
REMOVE ALL SHARP EDGES
UNLESS OTHERWISE SPECIFIED
ALL DIMENSIONS ARE IN INCHES

STANDARD TOLERANCES:

DECIMALS	ANGLES
.XX ± .030	± 1/2°
.XXX ± .015	

COPYRIGHT ©
DRAWING NOT TO BE REPRODUCED OR USED TO
MAKE OTHER DRAWINGS OR MACHINERY

SIZE
A

DWG
NO.

09.067.0PC

REV

DRAWN BY
CHECKED BY

MDD
MS

DATE 07-21-2013

SCALE 1:1

SHEET 1 OF 1