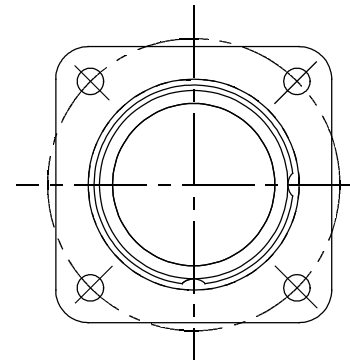
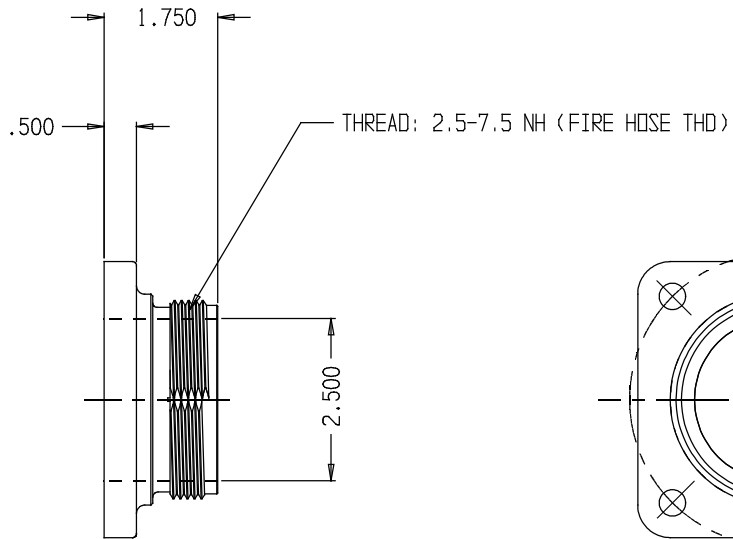
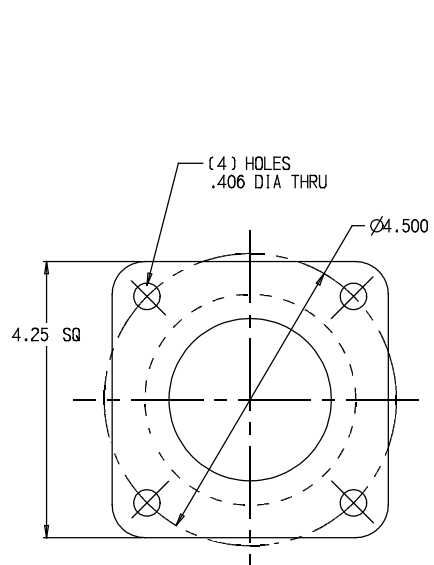



REVISIONS				
REV	DESCRIPTION	DATE	DRAWN BY	APPROVED



- NOTES:  
 1) MATERIAL: ALUMINUM  
 2) HARD COAT ANODIZE

 <b>EMERGENCY PRODUCTS, LLC</b>	2 FLANGE X 2.5 MNH		
	<small>REPORT ERRORS &amp; CHANGES          REMOVE ALL SHARP EDGES          UNLESS OTHERWISE SPECIFIED          ALL DIMENSIONS ARE IN INCHES</small>	<small>STANDARD TOLERANCES:</small> .XX ± .030 .XXX ± .015	<small>DECIMALS</small> <small>ANGLES</small> ± 1/2°
<small>COPYRIGHT ©          DRAWING NOT TO BE REPRODUCED OR USED TO          MAKE OTHER DRAWINGS OR MACHINERY</small>	SIZE B	DWG NO. 01.066.2PC	REV .
<small>DRAWN BY</small> <small>CHECKED BY</small>	<small>DATE</small> 08-03-2013	SCALE 1:1	SHEET 1 OF 1