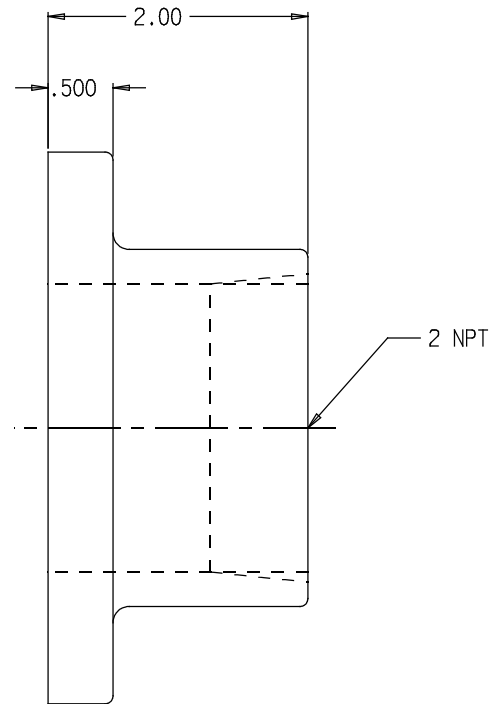
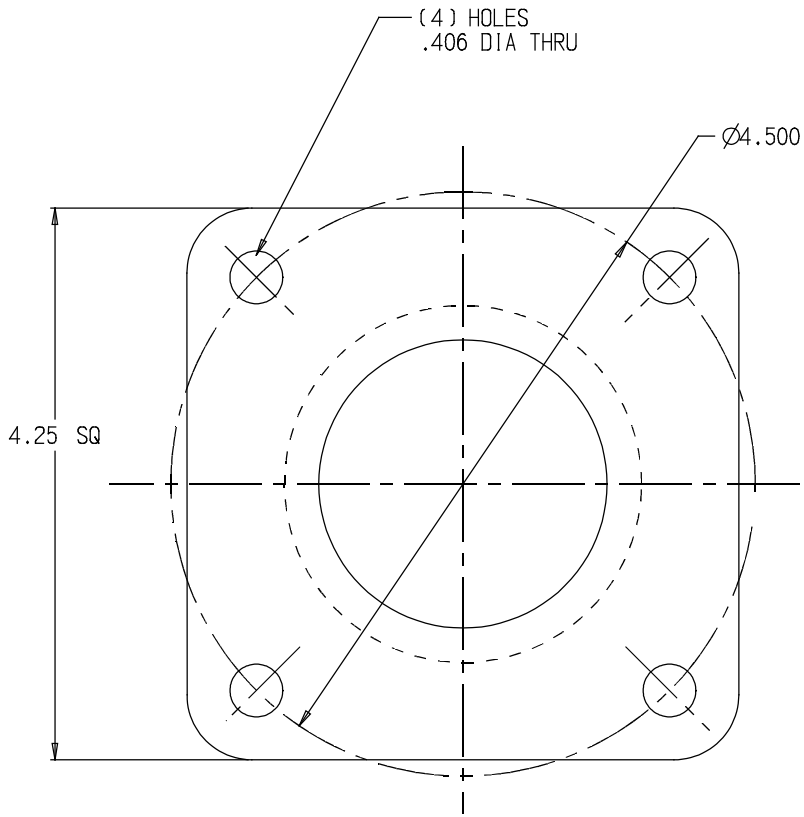



REVISIONS				
REV	DESCRIPTION	DATE	DRAWN BY	APPROVED



- NOTES:
 1) MATERIAL: ALUMINUM
 2) HARD COAT ANODIZE

 EMERGENCY PRODUCTS, LLC	2.0 FLANGE X 2 FNPT		
	<small>REPORT ERRORS & CHANGES REMOVE ALL SHARP EDGES UNLESS OTHERWISE SPECIFIED ALL DIMENSIONS ARE IN INCHES</small>	<small>STANDARD TOLERANCES:</small> DECIMALS .XX ± .030 .XXX ± .015	<small>ANGLES</small> ± 1/2°
<small>COPYRIGHT © DRAWING NOT TO BE REPRODUCED OR USED TO MAKE OTHER DRAWINGS OR MACHINERY</small>	SIZE B	DWG NO.	09.066.0PC
<small>DRAWN BY</small> <small>CHECKED BY</small>	<small>REV</small> <small>MS</small>	DATE 08-02-2013	SCALE 1:1
SHEET 1 OF 1			REV .