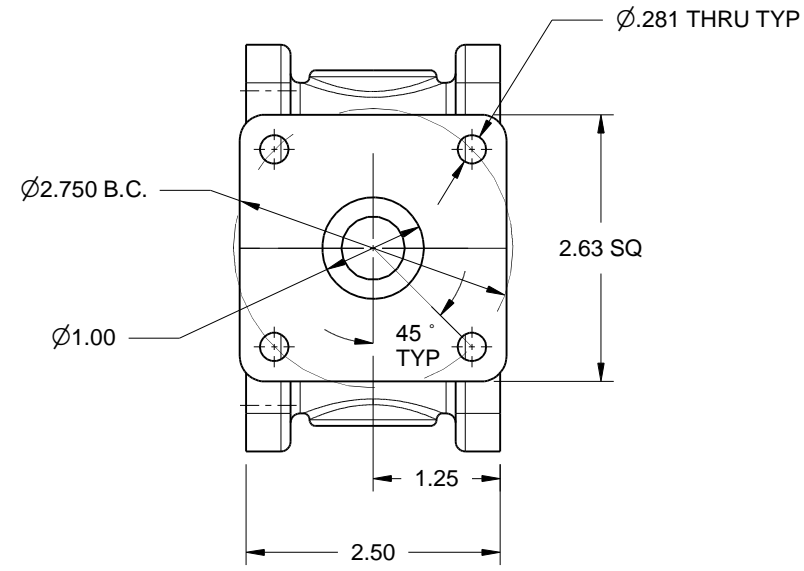


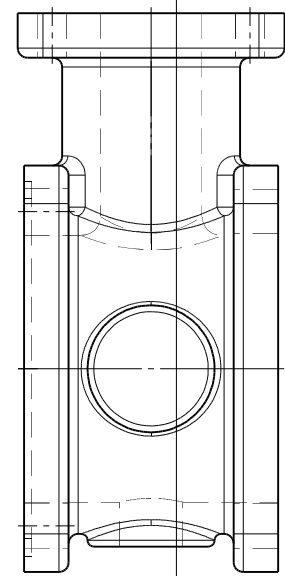
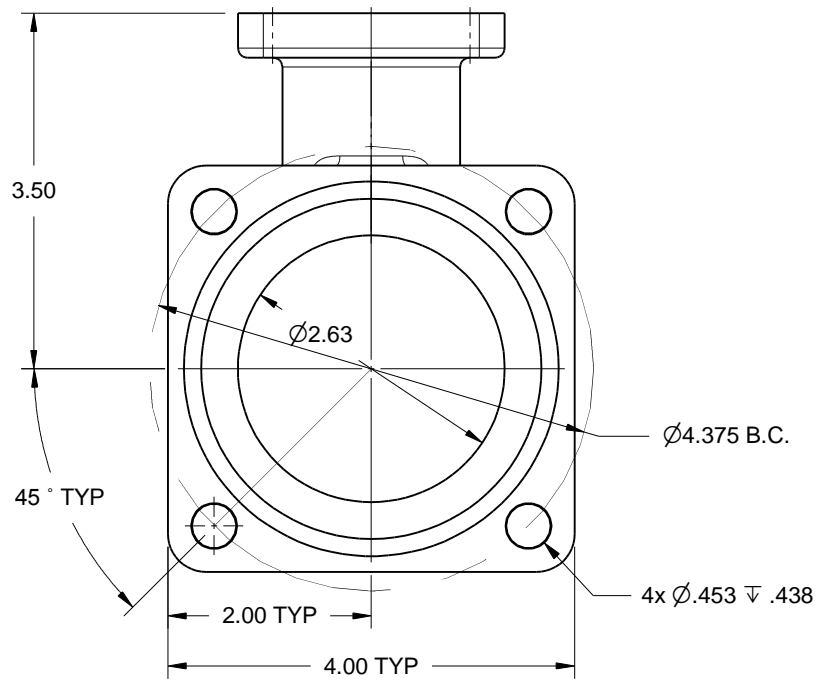
NOTES:

- 1. MATERIAL - ALUMINUM
- 2. HARD COAT ANODIZE

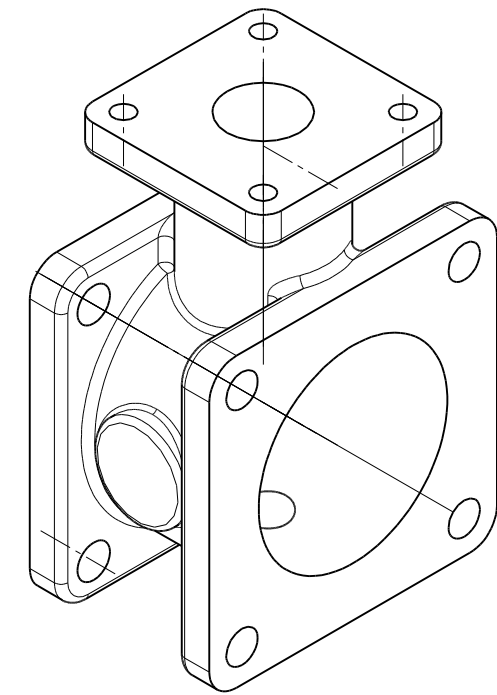
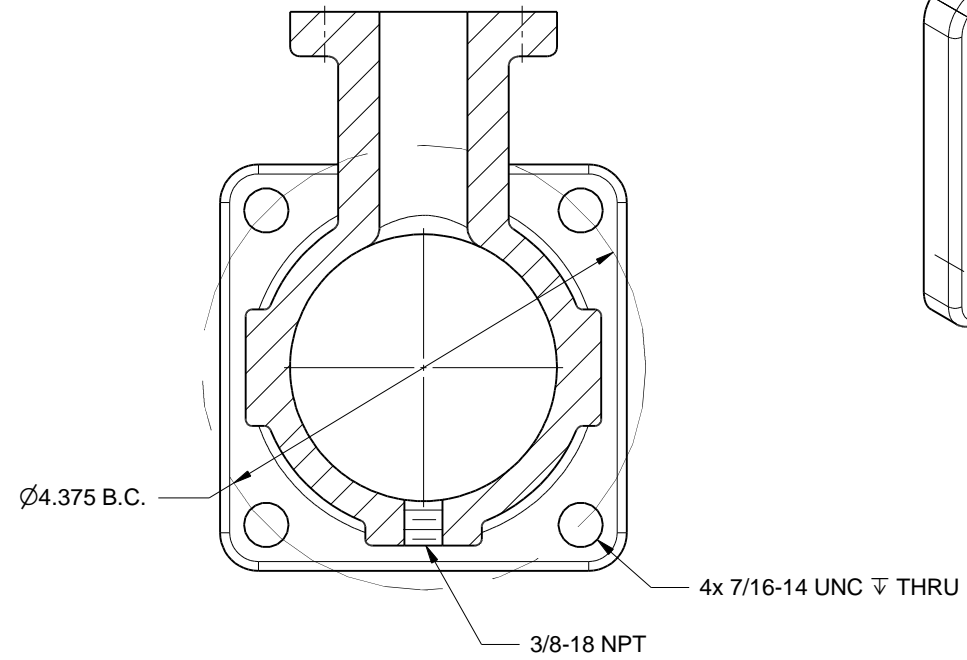
REVISIONS				
ZONE	REV	DESCRIPTION	DATE	APPROVED



A



A



Volume = 18.3 in<sup>3</sup>  
 Mass = .81 kg  
 Surface Area = 116 in<sup>2</sup>

Section A-A

REMOVE ALL SHARP EDGES ALL DIMENSIONS ARE INCHES STANDARD TOLERANCES: .XX +/- .015 .XXX +/- .005 ANGLES +/- .5°	DRAWN MS	DATE 09/10/2013	<b>TRIDENT EMERGENCY PRODUCTS, LLC</b> <i>"Tomorrow's Ideas Delivered Today"</i> <b>BODY, DISCHARGE MANIFOLD</b> <b>1" ALUMINUM</b>	
	CHECKED			
COPYRIGHT © DRAWING NOT TO BE REPRODUCED OR USED TO MAKE OTHER DRAWINGS OR MACHINERY	QA		SIZE <b>B</b>	FSCM NO.
	MFG		DWG NO. 07.028.10PC	REV
	APPROVED		SCALE 1:2	SHEET 1 OF 1