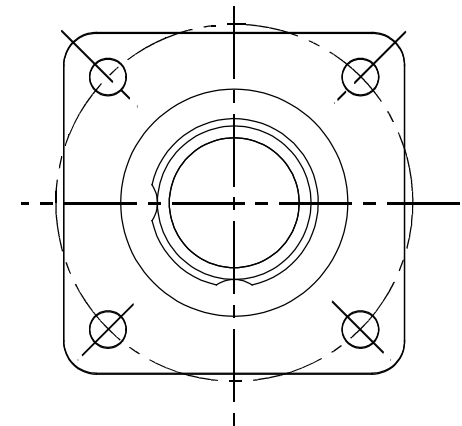
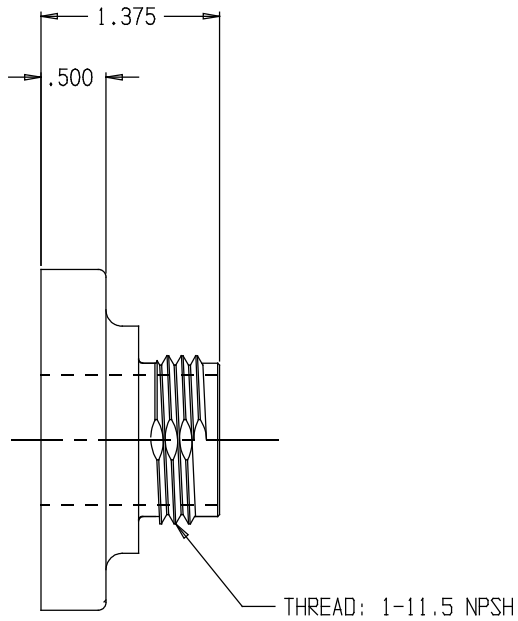
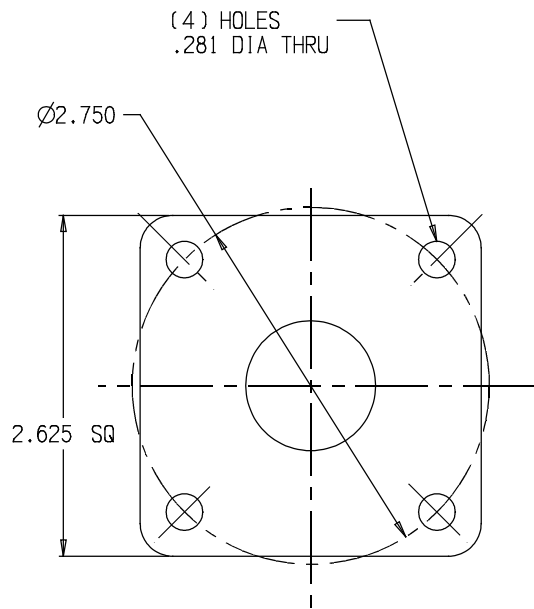



REVISIONS				
REV	DESCRIPTION	DATE	DRAWN BY	APPROVED



- NOTES:
 1) MATERIAL: ALUMINUM
 2) HARD COAT ANODIZE

 EMERGENCY PRODUCTS, LLC	1" FLANGE X 1" MNPSH		
	REPORT ERRORS & CHANGES REMOVE ALL SHARP EDGES UNLESS OTHERWISE SPECIFIED ALL DIMENSIONS ARE IN INCHES	STANDARD TOLERANCES: .XX ± .030 .XXX ± .015	ANGLES ± 1/2°
COPYRIGHT © DRAWING NOT TO BE REPRODUCED OR USED TO MAKE OTHER DRAWINGS OR MACHINERY	SIZE B	DWG NO. 09.064.4PC	REV .
DRAWN BY CHECKED BY	MDD MS	DATE 08-09-2013	SCALE 1:1 SHEET 1 OF 1