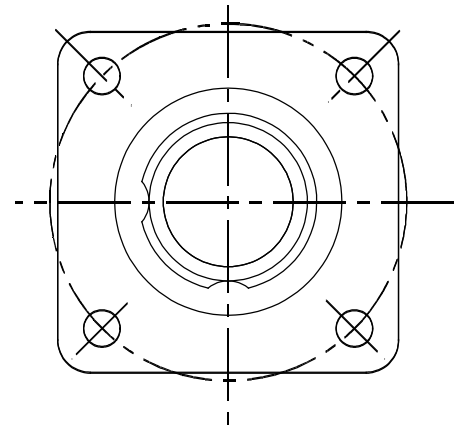
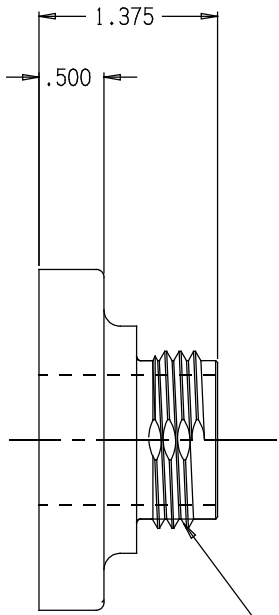
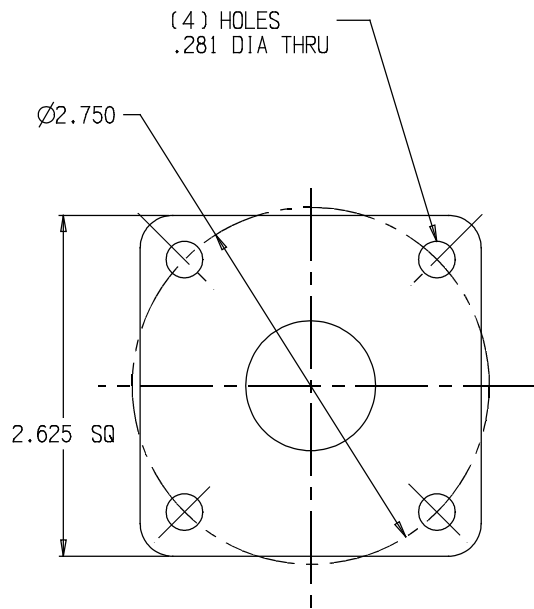



REVISIONS				
REV	DESCRIPTION	DATE	DRAWN BY	APPROVED



THREAD: 1-8 NH (FIRE HOSE THD)

- NOTES:
 1) MATERIAL: ALUMINUM
 2) HARD COAT ANODIZE

 EMERGENCY PRODUCTS, LLC	1" FLANGE X 1" MNH			
	<small>REPORT ERRORS & CHANGES REMOVE ALL SHARP EDGES UNLESS OTHERWISE SPECIFIED ALL DIMENSIONS ARE IN INCHES</small>	<small>STANDARD TOLERANCES:</small> .XX ± .030 .XXX ± .015	<small>DECIMALS</small> ± 1/2"	<small>ANGLES</small>
<small>COPYRIGHT © DRAWING NOT TO BE REPRODUCED OR USED TO MAKE OTHER DRAWINGS OR MACHINERY</small>	SIZE B	DWG NO. 09.064.2PC	REV	
<small>DRAWN BY</small> <small>CHECKED BY</small>	<small>MOD</small> <small>MS</small>	<small>DATE</small> 08-01-2013	SCALE 1:1	SHEET 1 OF 1