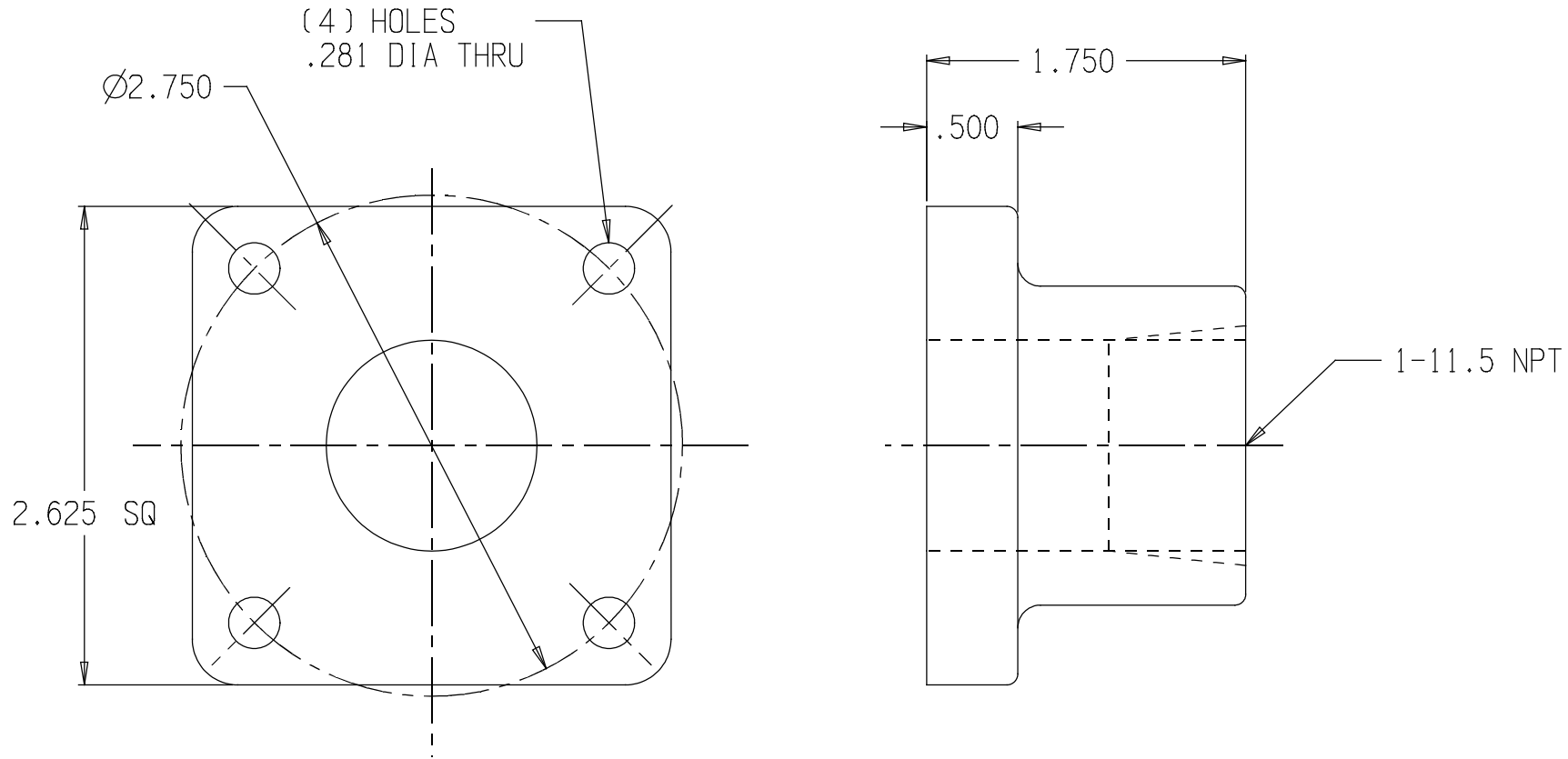


REVISIONS				
REV	DESCRIPTION	DATE	DRAWN BY	APPROVED



- NOTES:
 1) MATERIAL: ALUMINUM
 2) HARD COAT ANODIZE



1" FLANGE X 1" NPT

REPORT ERRORS & CHANGES
 REMOVE ALL SHARP EDGES
 UNLESS OTHERWISE SPECIFIED
 ALL DIMENSIONS ARE IN INCHES

STANDARD TOLERANCES:

DECIMALS	ANGLES
.XX ± .030	± 1/2°
.XXX ± .015	

COPYRIGHT ©
 DRAWING NOT TO BE REPRODUCED OR USED TO
 MAKE OTHER DRAWINGS OR MACHINERY

DRAWN BY	MO	DATE 08-01-2013
CHECKED BY	MS	

SIZE	A	DWG NO.	09.064-OPC	REV
SCALE 1:1				

SHEET 1 OF 1