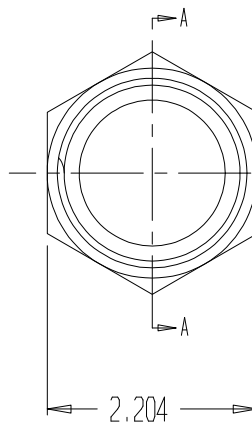
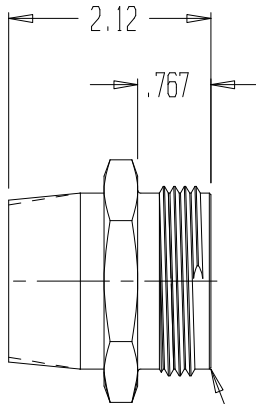
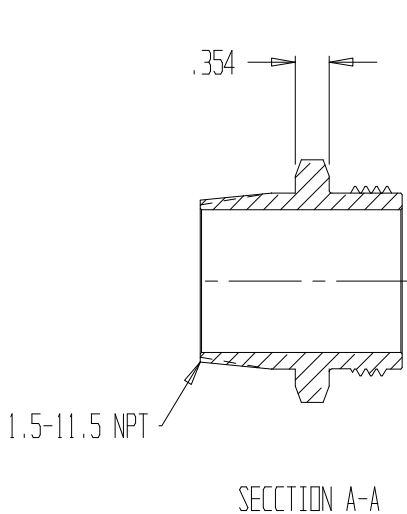


REVISIONS				
REV	DESCRIPTION	DATE	DRAWN BY	APPROVED
.
.



THREAD: 1.5-9 NH

NOTES:

- 1) CHROME PLATED
- 2) MATERIAL: BRASS



ADAPTER, 1.5" MNPT x 1.5" MNH

REPORT ERRORS & CHANGES
 REMOVE ALL SHARP EDGES
 UNLESS OTHERWISE SPECIFIED
 ALL DIMENSIONS ARE IN INCHES

STANDARD TOLERANCES:

DECIMALS	ANGLES
.XX ± .030	± 1/2°
.XXX ± .015	

COPYRIGHT ©
 DRAWING NOT TO BE REPRODUCED OR USED TO
 MAKE OTHER DRAWINGS OR MACHINERY

DRAWN BY	MS
CHECKED BY	MS

SIZE A	DWG NO.	01.073.0PC	REV .
DATE 10/10/2002	SCALE 1:2	SHEET 1 OF 1	