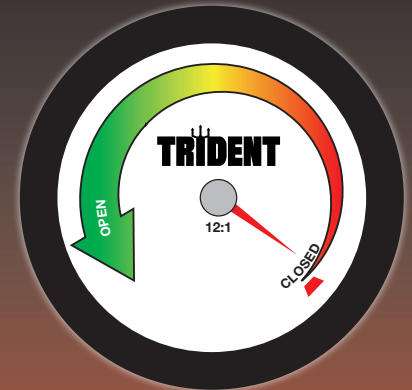
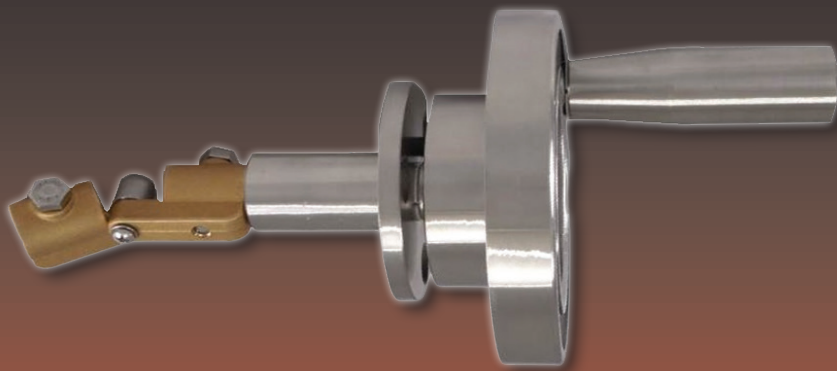


TRIDENT



Valve Position Indicating Hand-Wheels



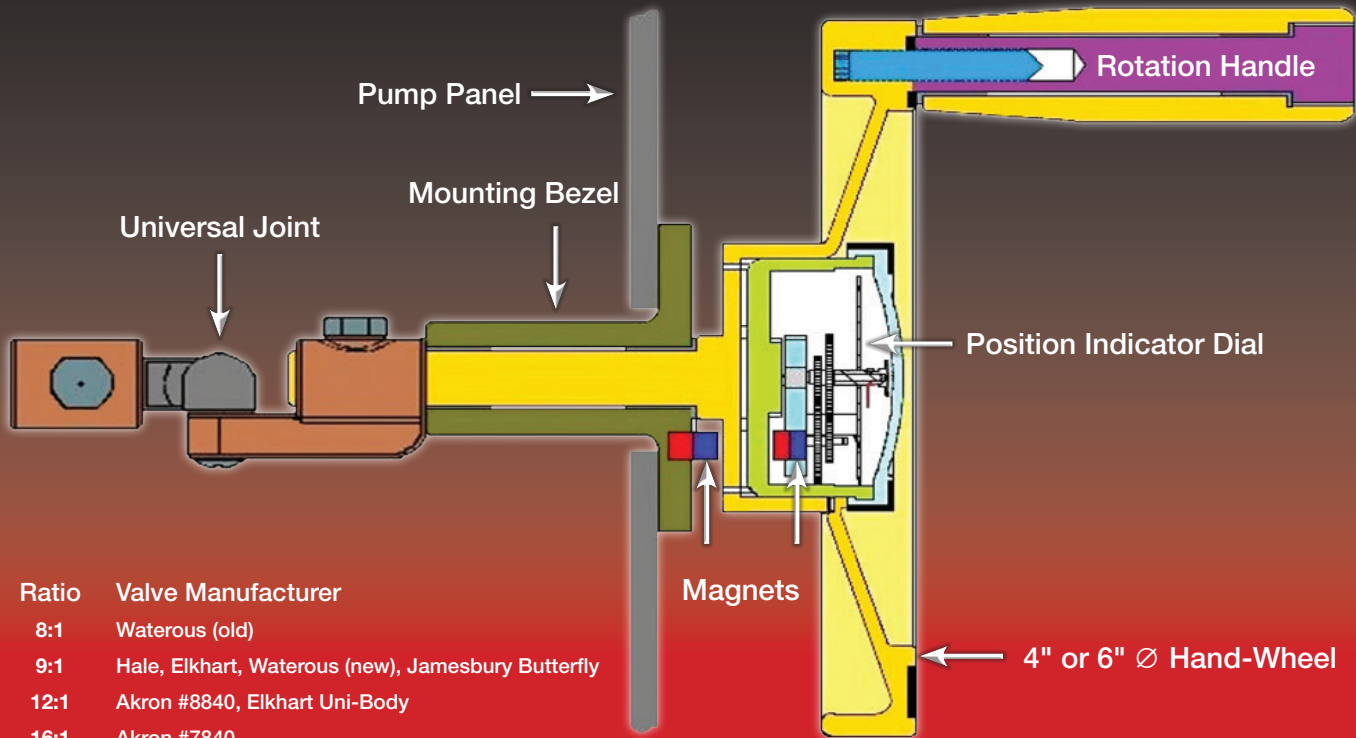
- ▶ 4" Hand-Wheel for 1½" to 2½" valves
- ▶ 6" Hand-Wheel for 3" to 6" valves
- ▶ Color Coded Labels
- ▶ Gear Ratios: 8:1 9:1 12:1 16:1

Available NFPA Color Labels

Orange	Purple
Red	Yellow/White
Yellow	Red/White
White	Gray
Blue	Burgundy
Black	Brown
Green	Gold
Silver	Magenta

- ▶ Tru-Flo™ is a Slow-Close valve control designed specifically for fire apparatus valves. This patented Hand-Wheel and Dial Indicator utilizes magnets to maintain the dial face in a stationary and readable orientation as the Hand-Wheel is rotated to fully open or closed valve positions.
- ▶ The Hand-Wheel can be mounted in any orientation, including horizontally for side mount control panels or vertically for top mount control panels.
- ▶ The indicating gauge is sealed and constructed of a polycarbonate, non-yellowing lens and case. The entire unit is corrosion resistant with brass and stainless steel components. The Hand-Wheel assemblies incorporate low friction bearings for smooth operation.

TRIDENT



Ratio	Valve Manufacturer
8:1	Waterous (old)
9:1	Hale, Elkhart, Waterous (new), Jamesbury Butterfly
12:1	Akron #8840, Elkhart Uni-Body
16:1	Akron #7840

Features	Benefits
Pump Panel Mounting Bearings and Bezel	Non corrosive Type 304 polished stainless steel with integral Nylon™ bearings. Includes mounting bolts and nuts.
Magnets	Two (2) internal magnets maintain the dial indicator position of the valve. Dial needle is bounce free while operating.
Rotation Handle	Easy to operate with gloved hand. Stainless steel handle has Nylon™ bearings for smooth operation.
Hand-Wheel Assembly	Type 304 stainless steel. Available in four gear ratios (above) and with a choice of 16 color coded NFPA labels. Internal brass gears for corrosion resistance.
Dial Position Needle Indicator	Brass & stainless construction. Waterproof dial with non-yellowing polycarbonate lens. Color coded indicator displays the true valve position from open to close.
Universal Joints	Two brass and stainless steel swivel joints are supplied with locking fasteners.

Trident Emergency Products, LLC

2940 Turnpike Drive | Suite #9 | Hatboro, Pennsylvania 19040

215-293-0700 Phone

215-293-0701 Fax

sales@tridentdirect.com Email

www.tridentdirect.com



**World Class
Fire Apparatus
Plumbing and
Hardware Products**

Tru-Flo™ is a trademark of
Trident Emergency Products, LLC