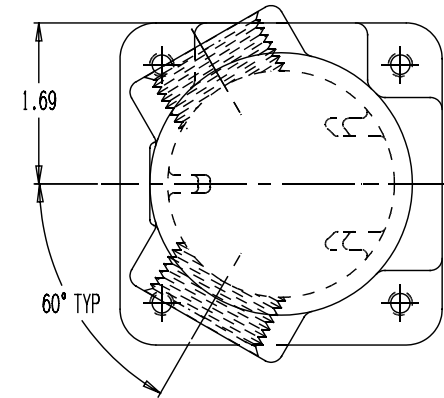
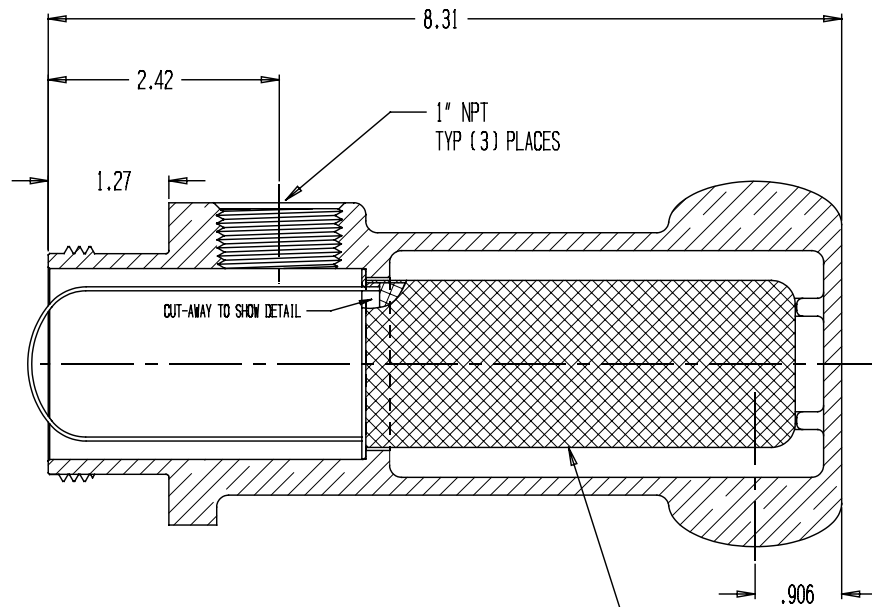
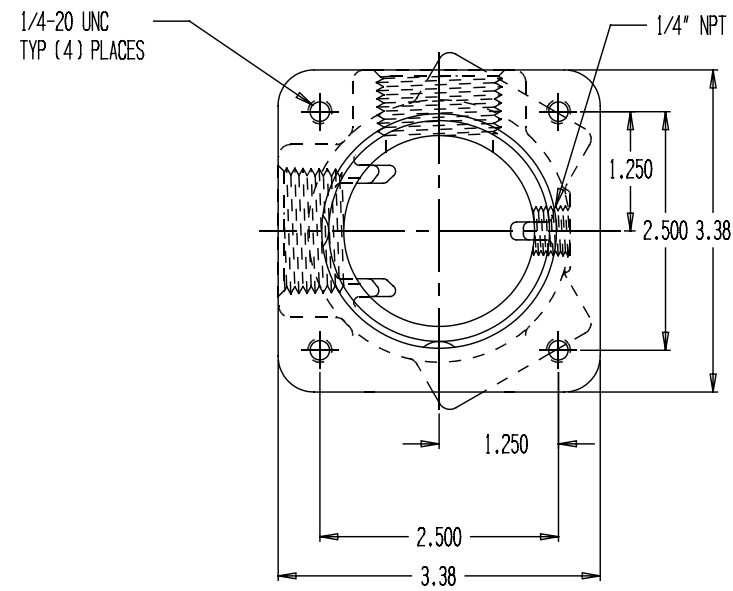
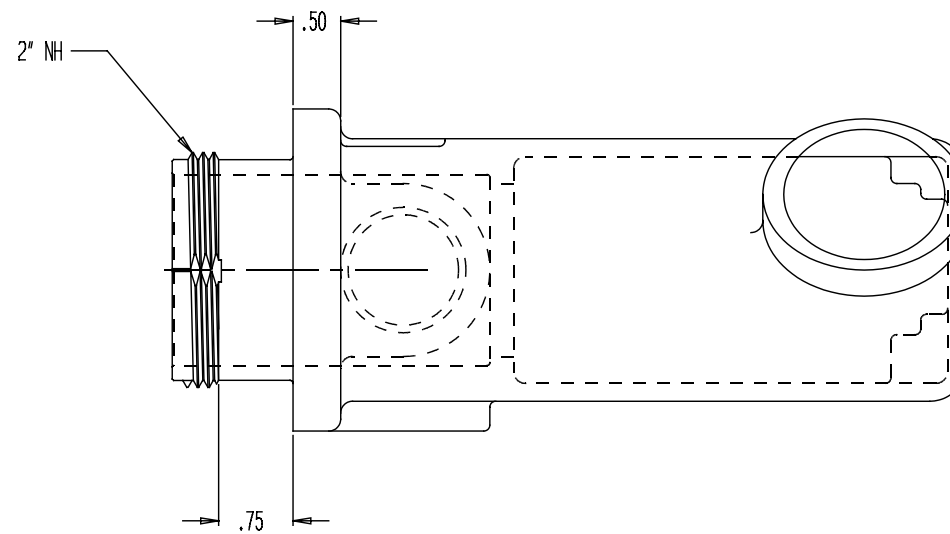


REVISIONS				
REV	DESCRIPTION	DATE	DRAWN BY	APPROVED



21.004.1 STRAINER ELEMENT (20 MESH)



- NOTES:
- 1) ASSEMBLY INCLUDES 01.050.0 2" NH CAP W/ CHAIN (NOT PICTURED)
 - 2) HYDROSTATIC TEST SPECIFICATION: 250 PSI WITH NO LEAKS

<p>TRIDENT EMERGENCY PRODUCTS, LLC</p>	<p>PANEL STRAINER ASSEMBLY-20</p>		
	<p>REPORT ERRORS & CHANGES REMOVE ALL SHARP EDGES UNLESS OTHERWISE SPECIFIED ALL DIMENSIONS ARE IN INCHES</p>	<p>STANDARD TOLERANCES:</p> <p>DECIMALS .XX ± .030 .XXX ± .015</p>	<p>ANGLES ± 1/2°</p>
<p>COPYRIGHT © DRAWING NOT TO BE REPRODUCED OR USED TO MAKE OTHER DRAWINGS OR MACHINERY</p>	<p>SIZE B</p>	<p>DWG NO. 21.005.3</p>	<p>REV .</p>
<p>DRAWN BY MS CHECKED BY MS</p>	<p>DATE 02/17/2005</p>	<p>SCALE 1:2</p>	<p>SHEET 1 OF 1</p>