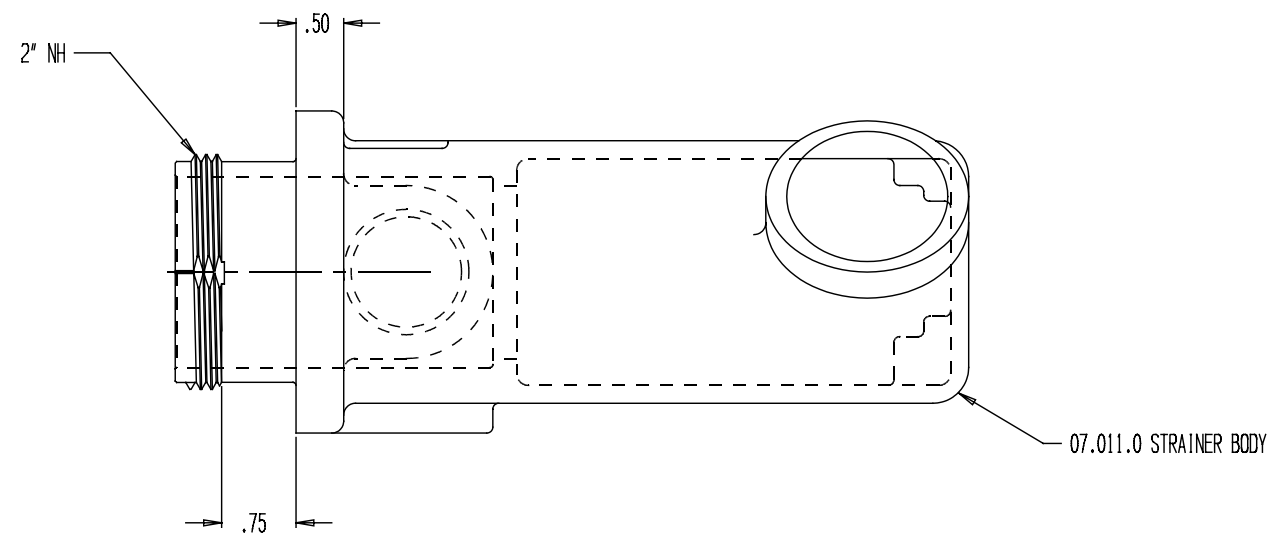
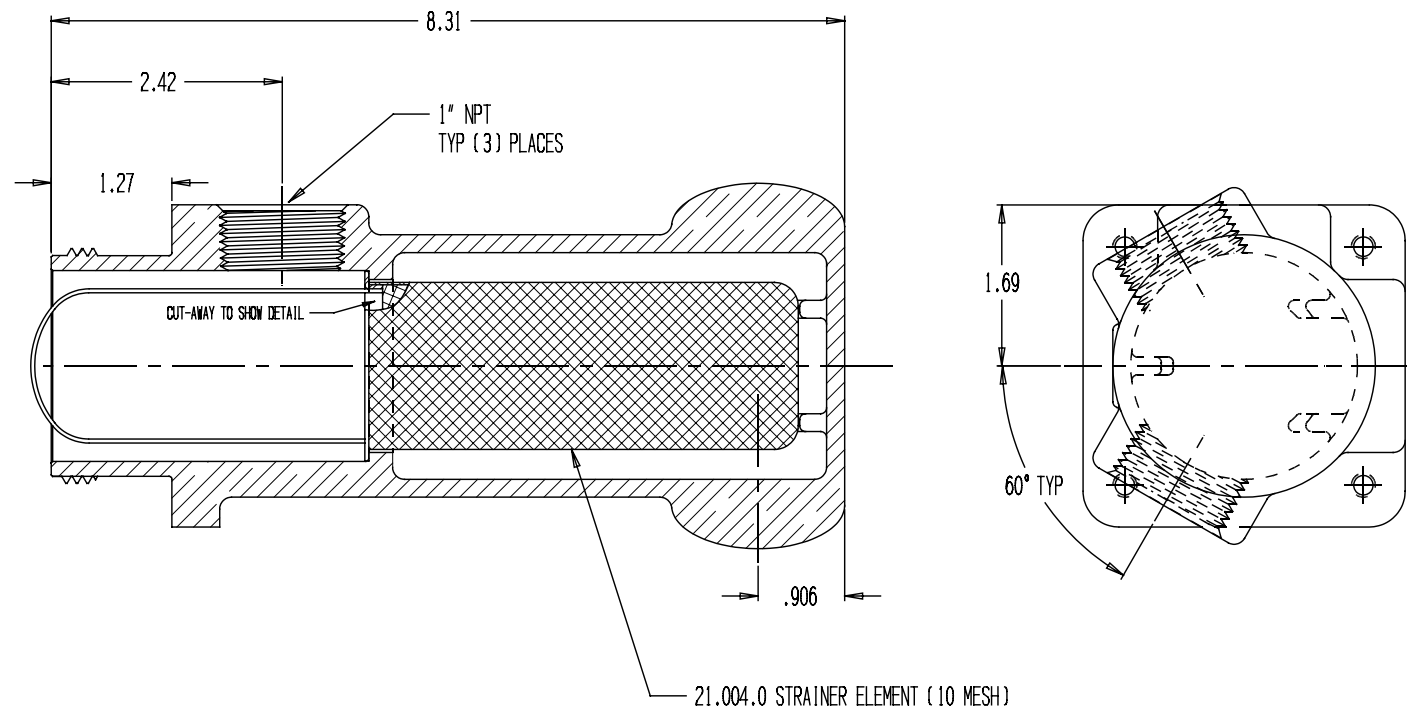
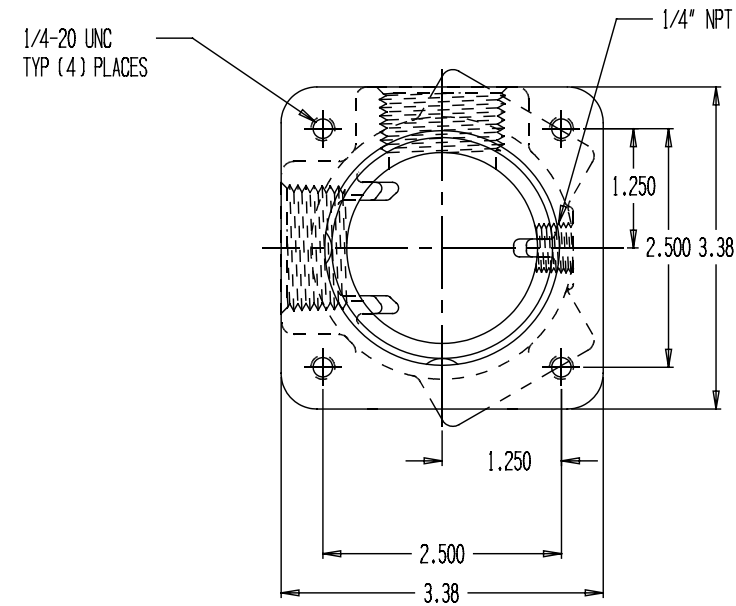
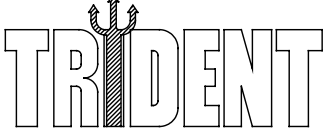


REVISIONS				
REV	DESCRIPTION	DATE	DRAWN BY	APPROVED



- NOTES:
- 1) ASSEMBLY INCLUDES 01.050.0 2" NH CAP W/ CHAIN (NOT PICTURED)
 - 2) HYDROSTATIC TEST SPECIFICATION: 250 PSI WITH NO LEAKS

 EMERGENCY PRODUCTS, LLC	PANEL STRAINER ASSEMBLY-10		
	REPORT ERRORS & CHANGES REMOVE ALL SHARP EDGES UNLESS OTHERWISE SPECIFIED ALL DIMENSIONS ARE IN INCHES	STANDARD TOLERANCES: DECIMALS .XX ± .030 .XXX ± .015	ANGLES ± 1/2°
COPYRIGHT © DRAWING NOT TO BE REPRODUCED OR USED TO MAKE OTHER DRAWINGS OR MACHINERY	SIZE B	DWG NO. 21.005.2	REV .
DRAWN BY MS CHECKED BY MS	DATE 02/17/2005	SCALE 1:2	SHEET 1 OF 1