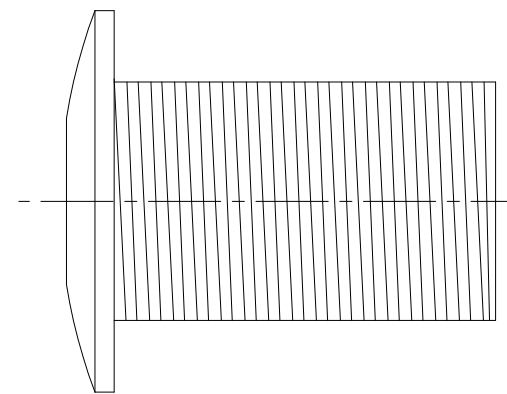
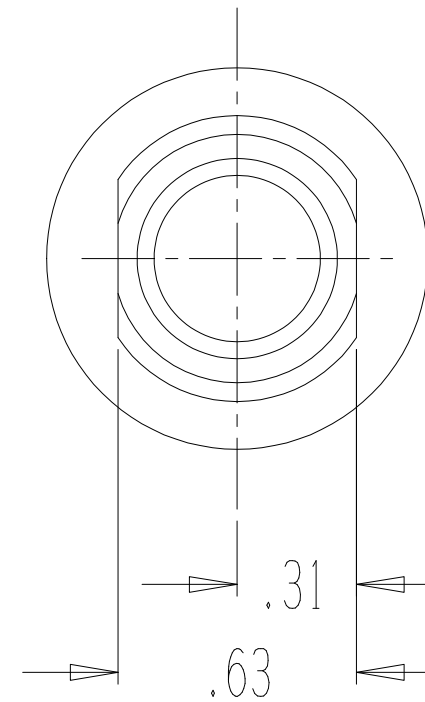
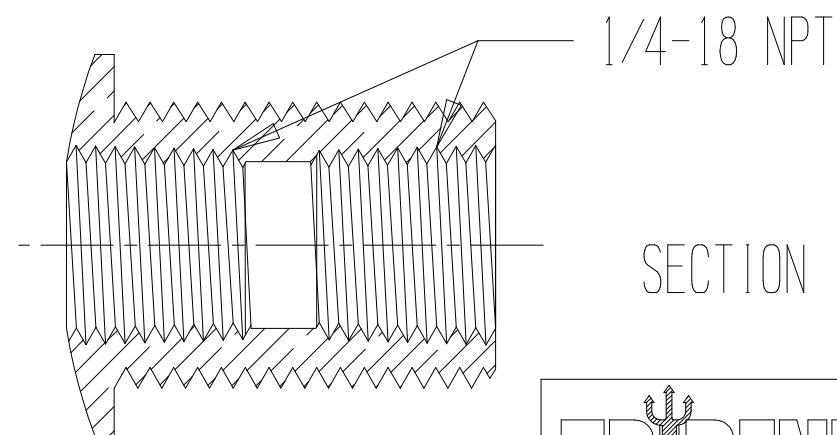


REVISIONS				
REV	DESCRIPTION	DATE	DRAWN BY	APPROVED



3/4-16



SECTION A-A

NOTES:

- 1) MATERIAL: BRASS
- 2) CHROME PLATED
- 3) ASSEMBLY INCLUDES PLATED INTERNAL STAR LOCK WASHER AND BRASS 3/4-16 NUT (SHOWN IN ONE VIEW)



1/4" NPT BULKHEAD FTG.

REPORT ERRORS & CHANGES
REMOVE ALL SHARP EDGES
UNLESS OTHERWISE SPECIFIED
ALL DIMENSIONS ARE IN INCHES

STANDARD TOLERANCES: DECIMALS ANGLES
 .XX ± .030 ± 1/2°
 .XXX ± .015

COPYRIGHT © DRAWING NOT TO BE REPRODUCED OR USED TO MAKE OTHER DRAWINGS OR MACHINERY		SIZE B	DWG NO.	REV
DRAWN BY MS	CHECKED BY MS	DATE 06/20/2005	SCALE 2:1	SHEET 1 OF 1

09.023.0PC