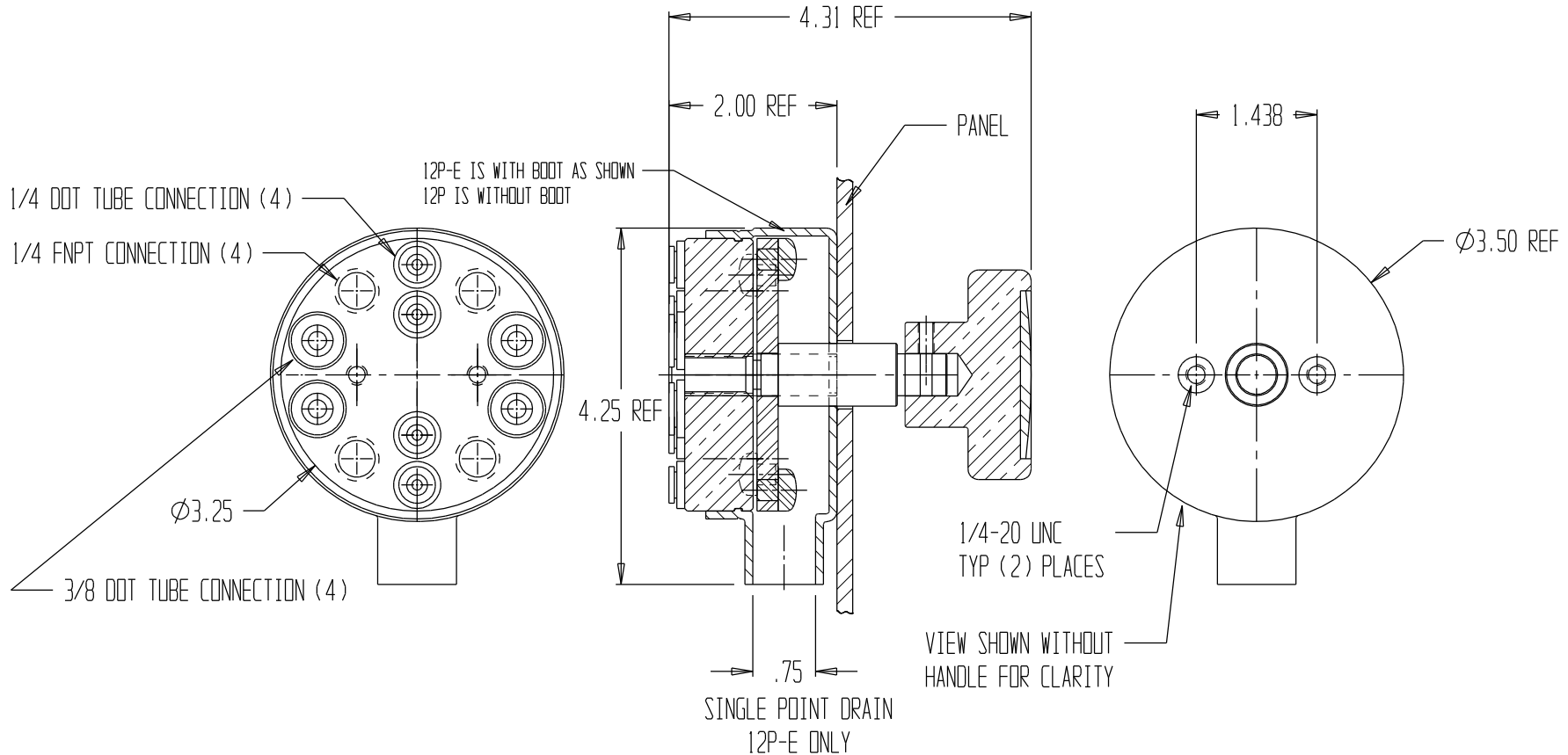


SEAL KIT: 27.001.0



# 12P AND 12P-E MASTER DRAIN VALVE

30.001.0 - 12P  
30.001.7 - 12P-E

|  |    |                 |           |              |          |     |
|--|----|-----------------|-----------|--------------|----------|-----|
| DRAWING NOT TO BE REPRODUCED OR USED TO MAKE OTHER DRAWINGS OR MACHINERY |    | COPYRIGHT ©     | SIZE A    | DWG NO.      | 30.001.0 | REV |
| DRAWN BY   | MS | DATE 04/06/2001 | SCALE 1:2 | SHEET 1 OF 1 |          |     |
| CHECKED BY   | MS |                 |           |              |          |     |