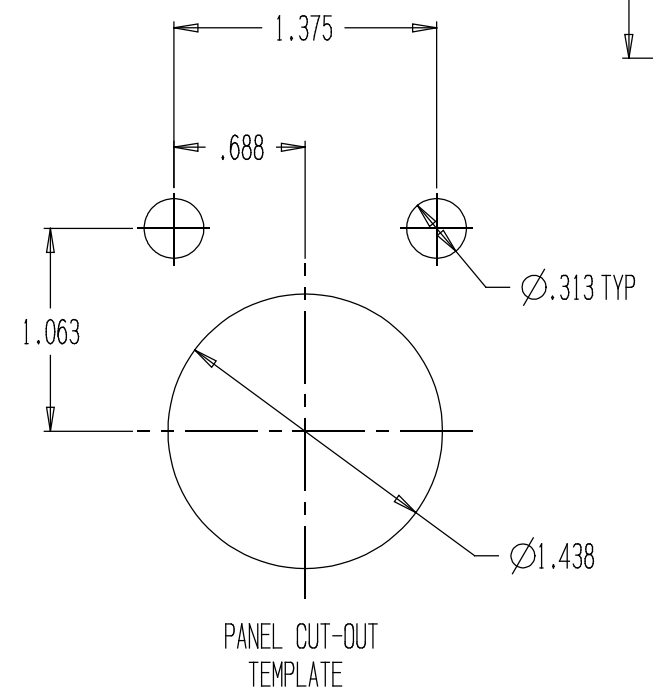
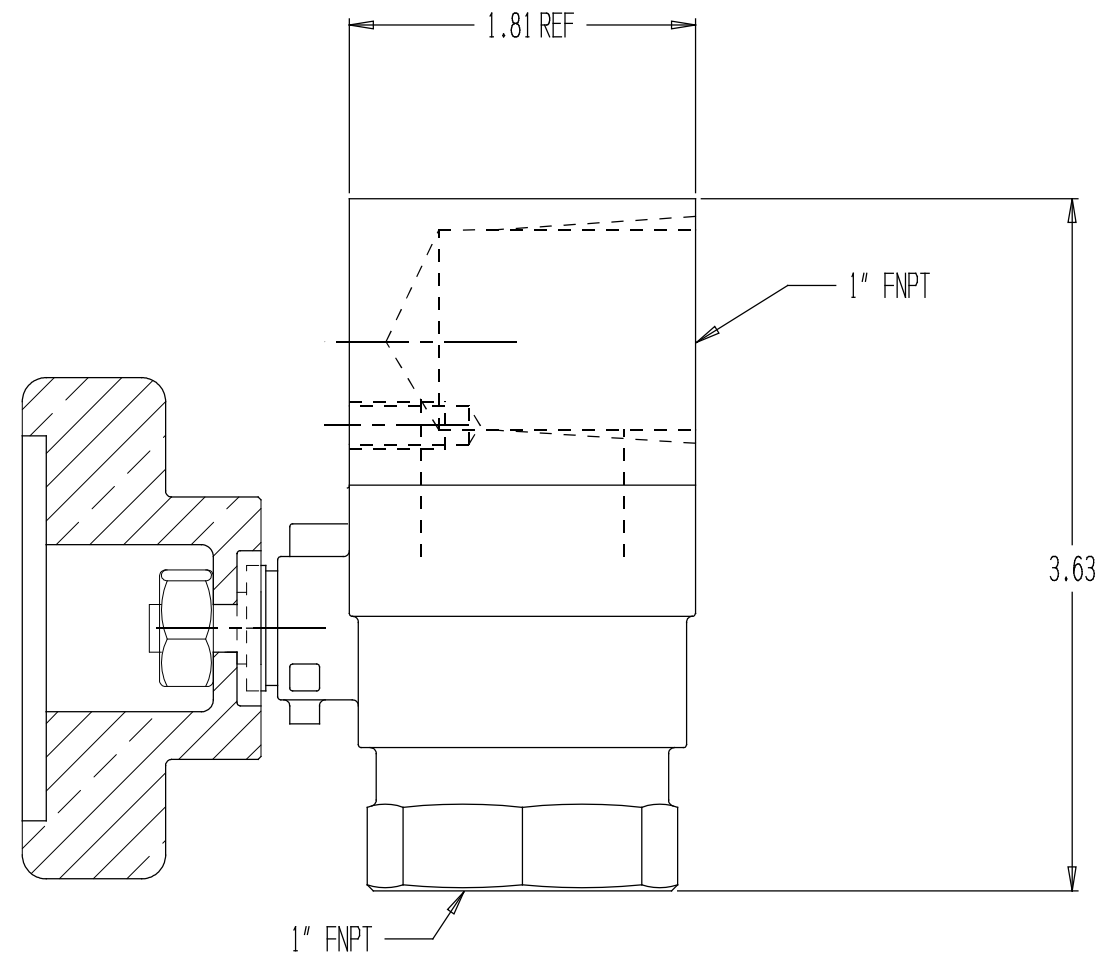
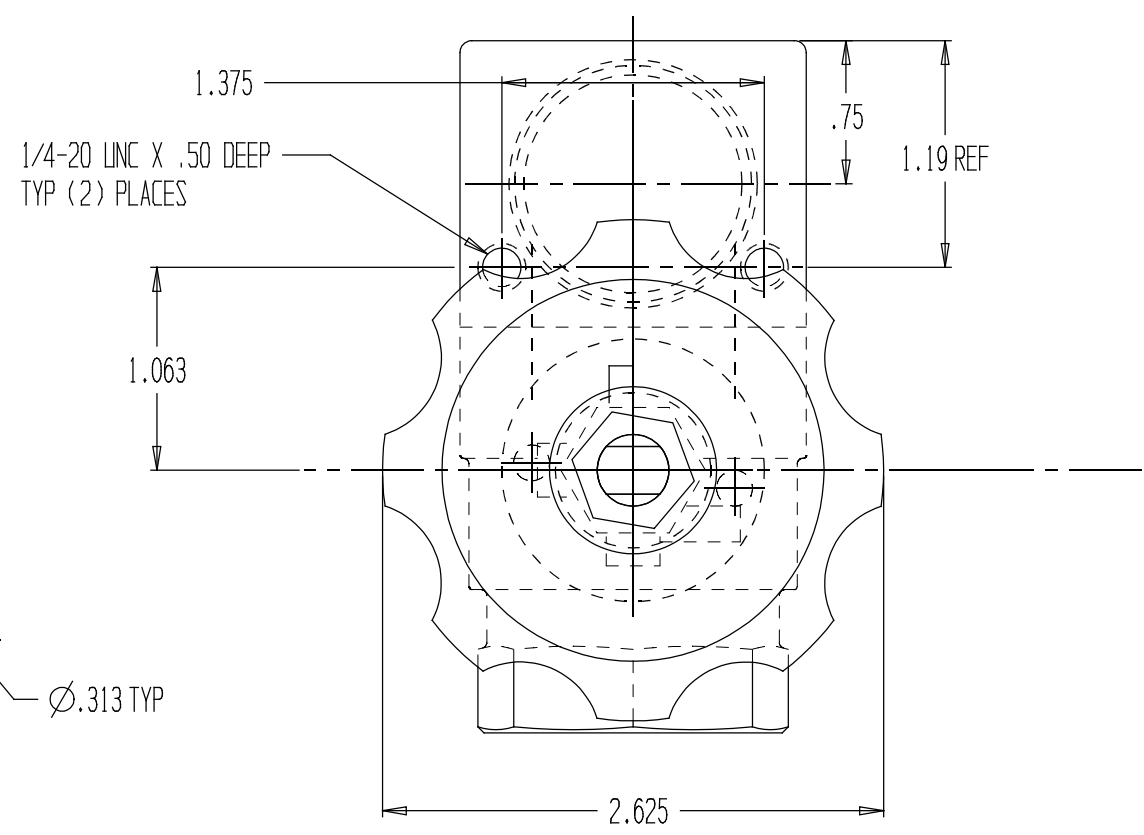
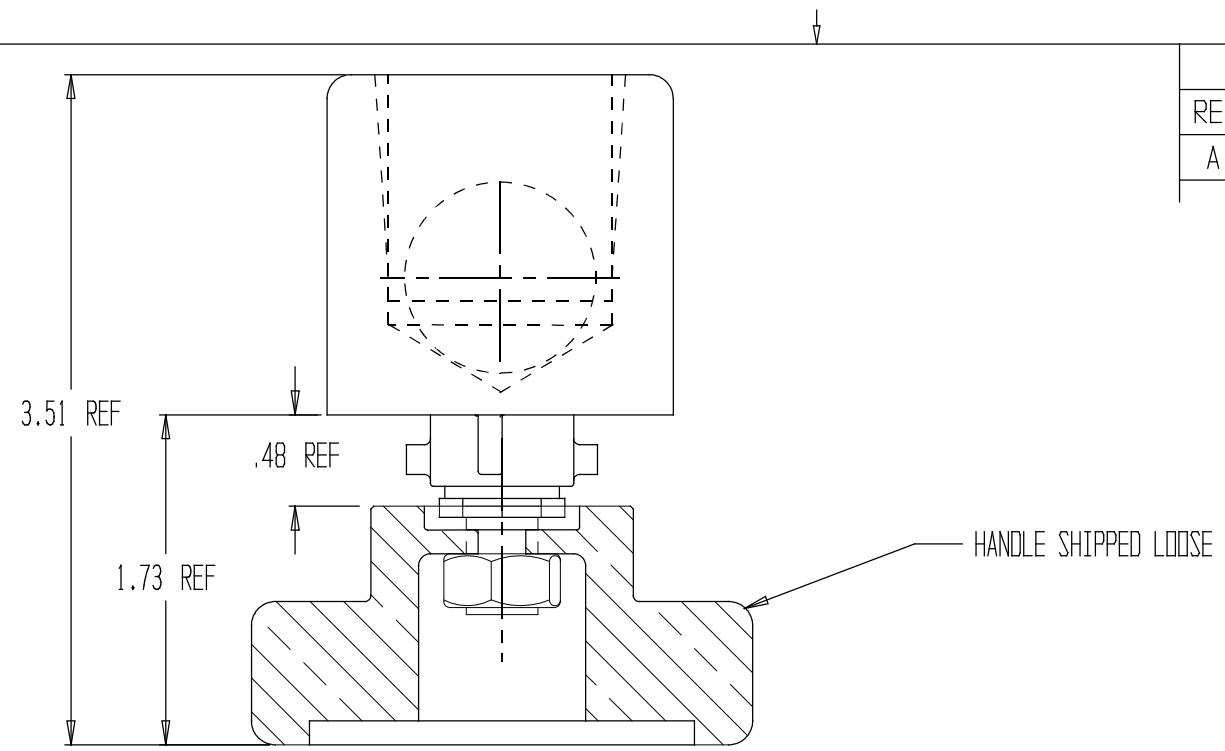


REVISIONS				
REV	DESCRIPTION	DATE	DRAWN BY	APPROVED
A	ADDED CUT-OUT TEMPLATE	12/13/2004	MS	MS



<p>TRIDENT EMERGENCY PRODUCTS, LLC</p>	<p>BLEEDER VALVE, 1" X 90°</p>		
	<p>REPORT ERRORS & CHANGES REMOVE ALL SHARP EDGES UNLESS OTHERWISE SPECIFIED ALL DIMENSIONS ARE IN INCHES</p>	<p>STANDARD TOLERANCES:</p> <p>DECIMALS .XX ± .030 .XXX ± .015</p>	<p>ANGLES ± 1/2°</p>
<p>COPYRIGHT © DRAWING NOT TO BE REPRODUCED OR USED TO MAKE OTHER DRAWINGS OR MACHINERY</p>	<p>SIZE B</p>	<p>DWG NO. 30.019.5</p>	<p>REV A</p>
<p>DRAWN BY MS CHECKED BY MS</p>	<p>DATE 07/30/2004</p>	<p>SCALE 1:1</p>	<p>SHEET 1 OF 1</p>