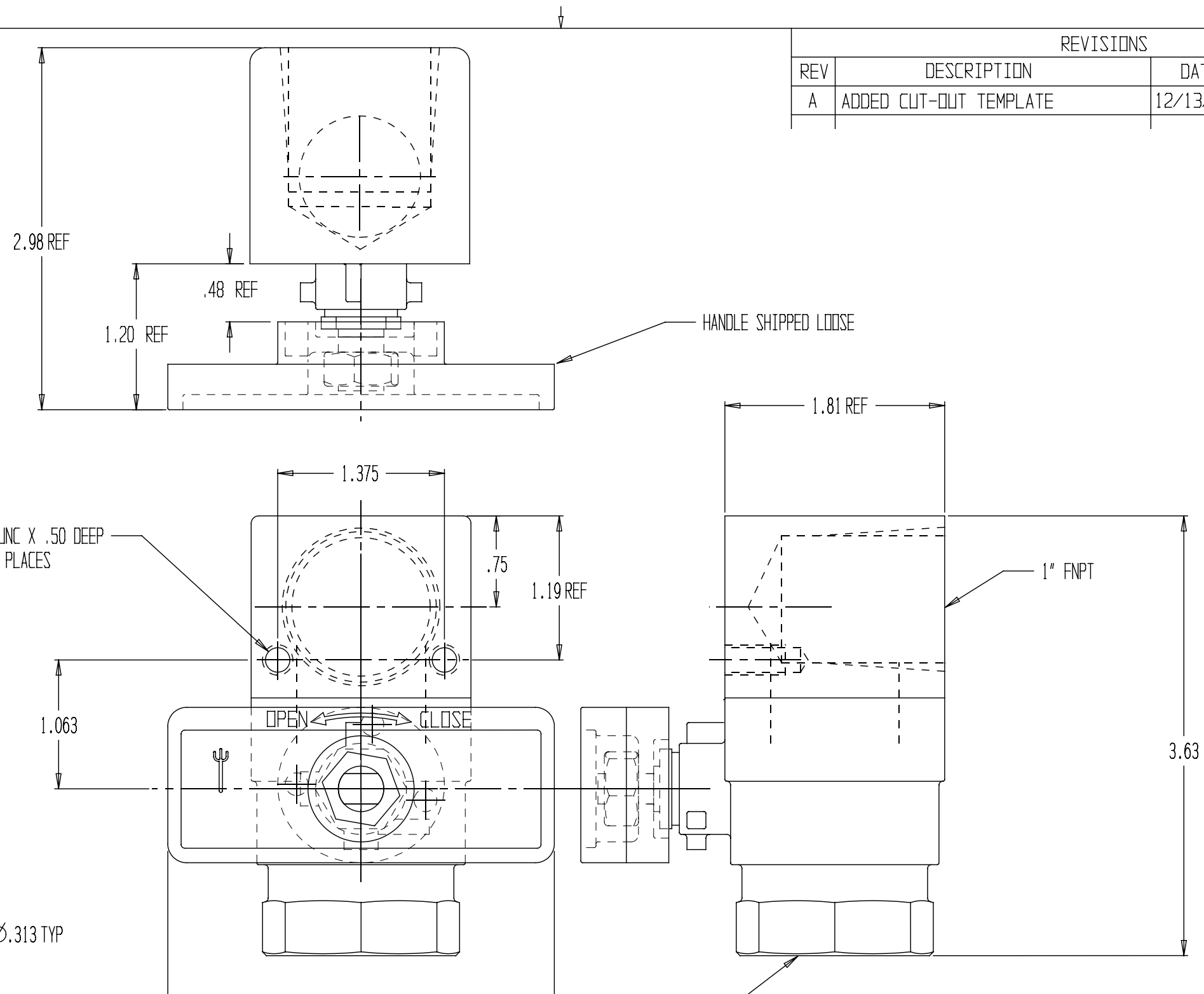



REVISIONS				
REV	DESCRIPTION	DATE	DRAWN BY	APPROVED
A	ADDED CUT-OUT TEMPLATE	12/13/2004	MS	MS



 <b>EMERGENCY PRODUCTS, LLC</b>		BLEEDER VALVE, 1" X 90°		
		REPORT ERRORS & CHANGES REMOVE ALL SHARP EDGES UNLESS OTHERWISE SPECIFIED ALL DIMENSIONS ARE IN INCHES	STANDARD TOLERANCES: DECIMALS .XX ± .030 .XXX ± .015	ANGLES ± 1/2°
COPYRIGHT © DRAWING NOT TO BE REPRODUCED OR USED TO MAKE OTHER DRAWINGS OR MACHINERY		SIZE B	DWG NO. 30.019.2	SHEET 1 OF 1
DRAWN BY MS	CHECKED BY MS	DATE 07/30/2004	SCALE 1:1	