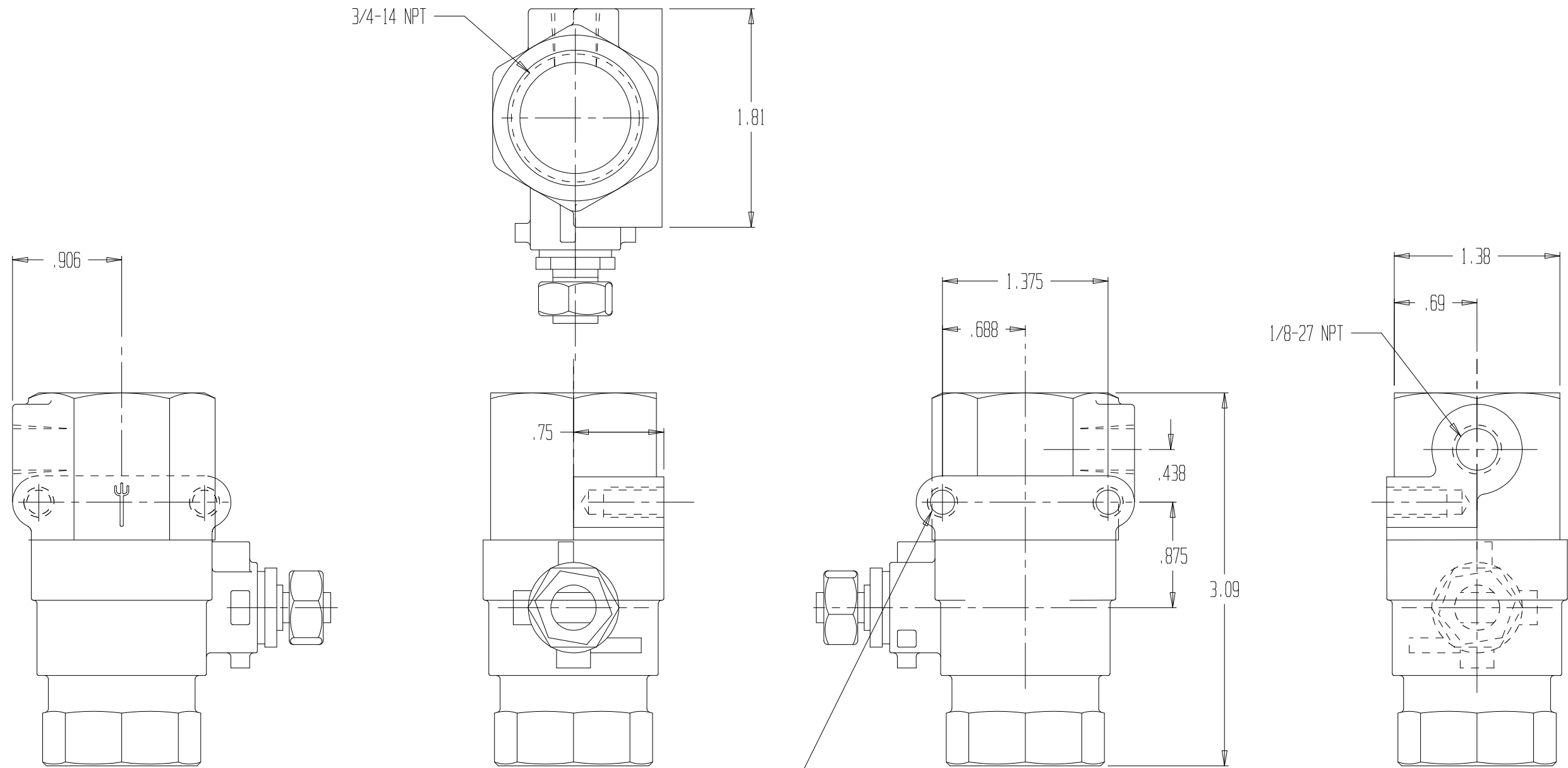


REVISIONS				
REV	DESCRIPTION	DATE	DRAWN BY	APPROVED



3/4-14 NPT

1.81

.906

.75

1.375

.688

.438

.875

3.09


1.38

.69

1/8-27 NPT

1/4-20 UNC X .50 DEEP  
TYP (2) PLACES

- NOTES:
1. VALVE SEATS FOR 3/4 NPT VALVE WITH A SMALLER HOLE IN THE BALL TO COMPENSATE FOR HANDLE MISALIGNMENT.
  2. BODY MATERIAL - BRONZE
  3. HANDLE NOT INCLUDED.
  4. 250 PSIG WORKING PRESSURE, 500 PSIG HYDROSTATIC

 <b>EMERGENCY PRODUCTS, LLC</b>	<h2>3/4 DRAIN VALVE</h2>		REPORT ERRORS & CHANGES REMOVE ALL SHARP EDGES UNLESS OTHERWISE SPECIFIED ALL DIMENSIONS ARE IN INCHES	STANDARD TOLERANCES: DECIMALS .XX ± .030 .XXX ± .015	ANGLES ± 1/2°
	COPYRIGHT © DRAWING NOT TO BE REPRODUCED OR USED TO MAKE OTHER DRAWINGS OR MACHINERY	SIZE . B	DWG NO. 30.045.0PC	REV	SCALE 1:1 SHEET 1 OF 1
DRAWN BY MS CHECKED BY MS	DATE 07/23/2009				