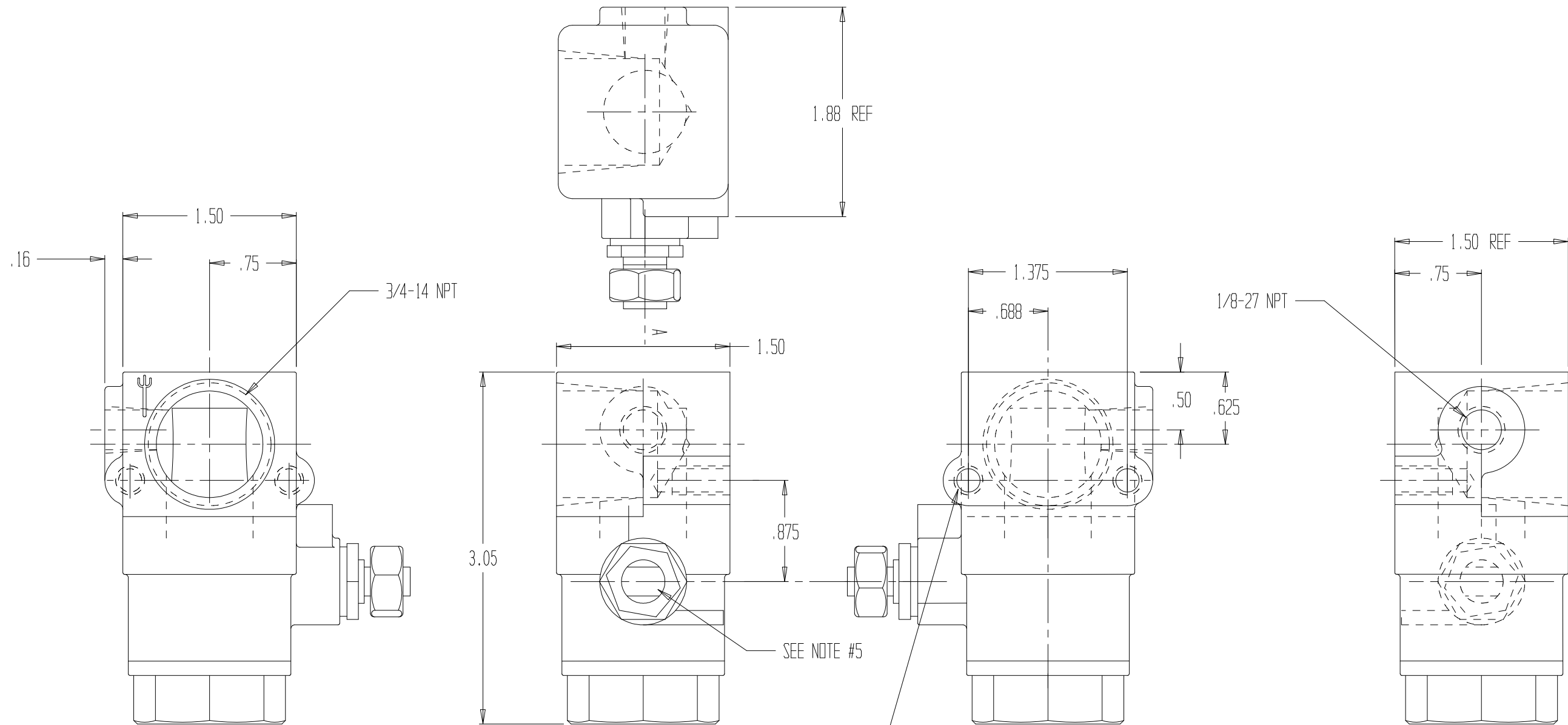



REVISIONS				
REV	DESCRIPTION	DATE	DRAWN BY	APPROVED



- NOTES:
1. USE 3/4 NPT VALVE BODY AND 3/4 PTFE SEATS WITH A SMALLER HOLE IN THE BALL TO COMPENSATE FOR HANDLE MISALIGNMENT.
 2. BODY MATERIAL - BRONZE
 3. HANDLE NOT INCLUDED
 4. VALVE SHOWN IN CLOSED POSITION
 5. 250 PSIG WORKING PRESSURE, 500 PSIG HYDROSTATIC

1/4-20 UNC X .50 DEEP
TYP (2) PLACES

 EMERGENCY PRODUCTS, LLC	3/4 DRAIN VALVE, 90°	
	<small>REPORT ERRORS & CHANGES REMOVE ALL SHARP EDGES UNLESS OTHERWISE SPECIFIED ALL DIMENSIONS ARE IN INCHES</small>	<small>STANDARD TOLERANCES:</small> <small>DECIMALS .XX ± .030 .XXX ± .015</small> <small>ANGLES ± 1/2°</small>
<small>COPYRIGHT © DRAWING NOT TO BE REPRODUCED OR USED TO MAKE OTHER DRAWINGS OR MACHINERY</small>	<small>SIZE .</small> <small>B</small>	<small>DWG NO.</small> 30.044.0PC <small>REV</small>
<small>DRAWN BY</small> RET <small>CHECKED BY</small> MS <small>DATE</small> 07/23/2008	<small>SCALE</small> 1:1	<small>SHEET</small> 1 OF 1