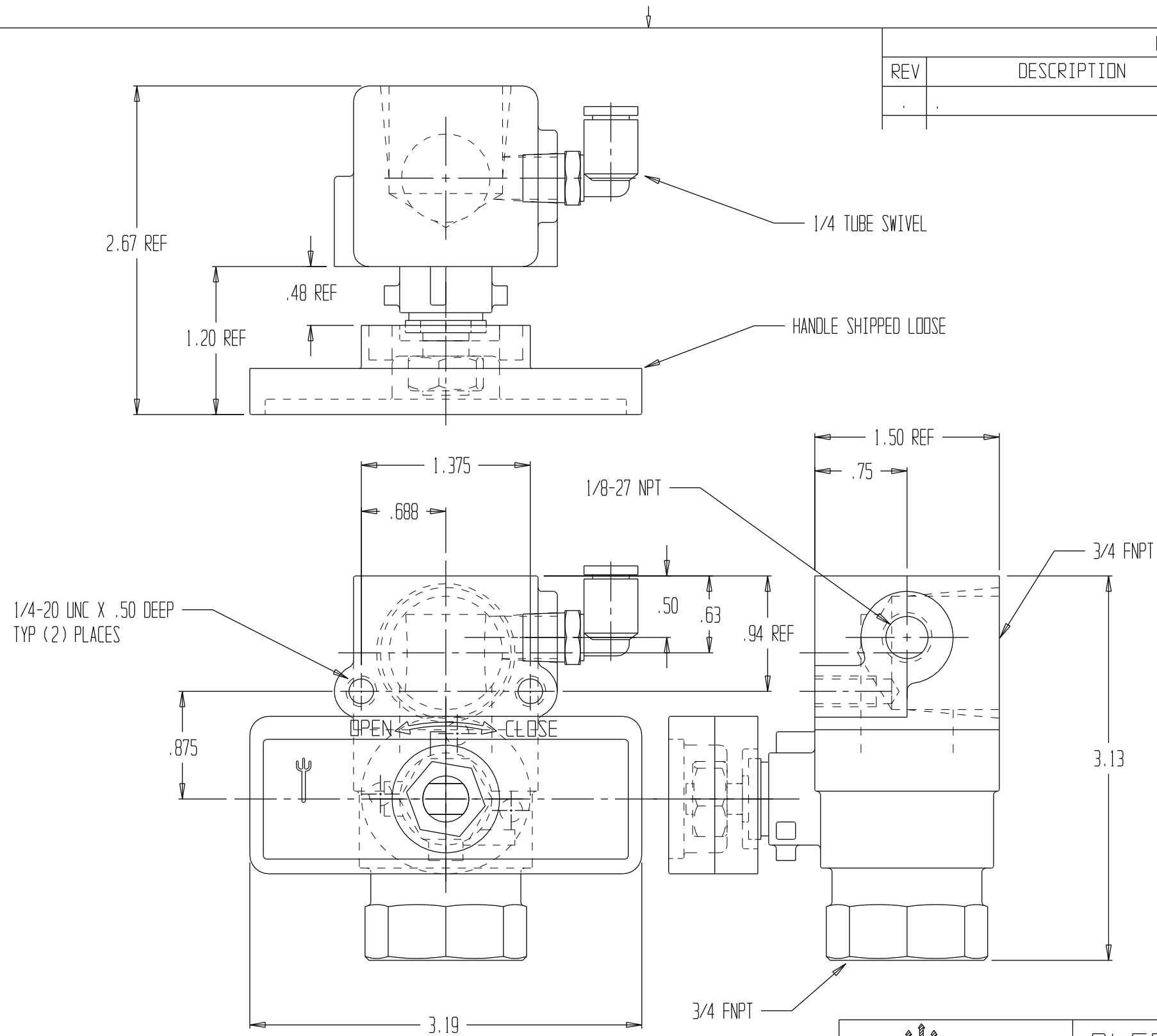


REVISIONS				
REV	DESCRIPTION	DATE	DRAWN BY	APPROVED



# BLEEDER VALVE, 3/4 X 90°

REPORT ERRORS & CHANGES  
REMOVE ALL SHARP EDGES  
UNLESS OTHERWISE SPECIFIED  
ALL DIMENSIONS ARE IN INCHES

STANDARD TOLERANCES:

DECIMALS	ANGLES
.XX ± .030	± 1/2°
.XXX ± .015	

COPYRIGHT © DRAWING NOT TO BE REPRODUCED OR USED TO MAKE OTHER DRAWINGS OR MACHINERY		SIZE B	DWG NO.	30.002.1	REV .
DRAWN BY MS	CHECKED BY MS	DATE 12/03/2001	SCALE 1:1	SHEET 1 OF 1	